

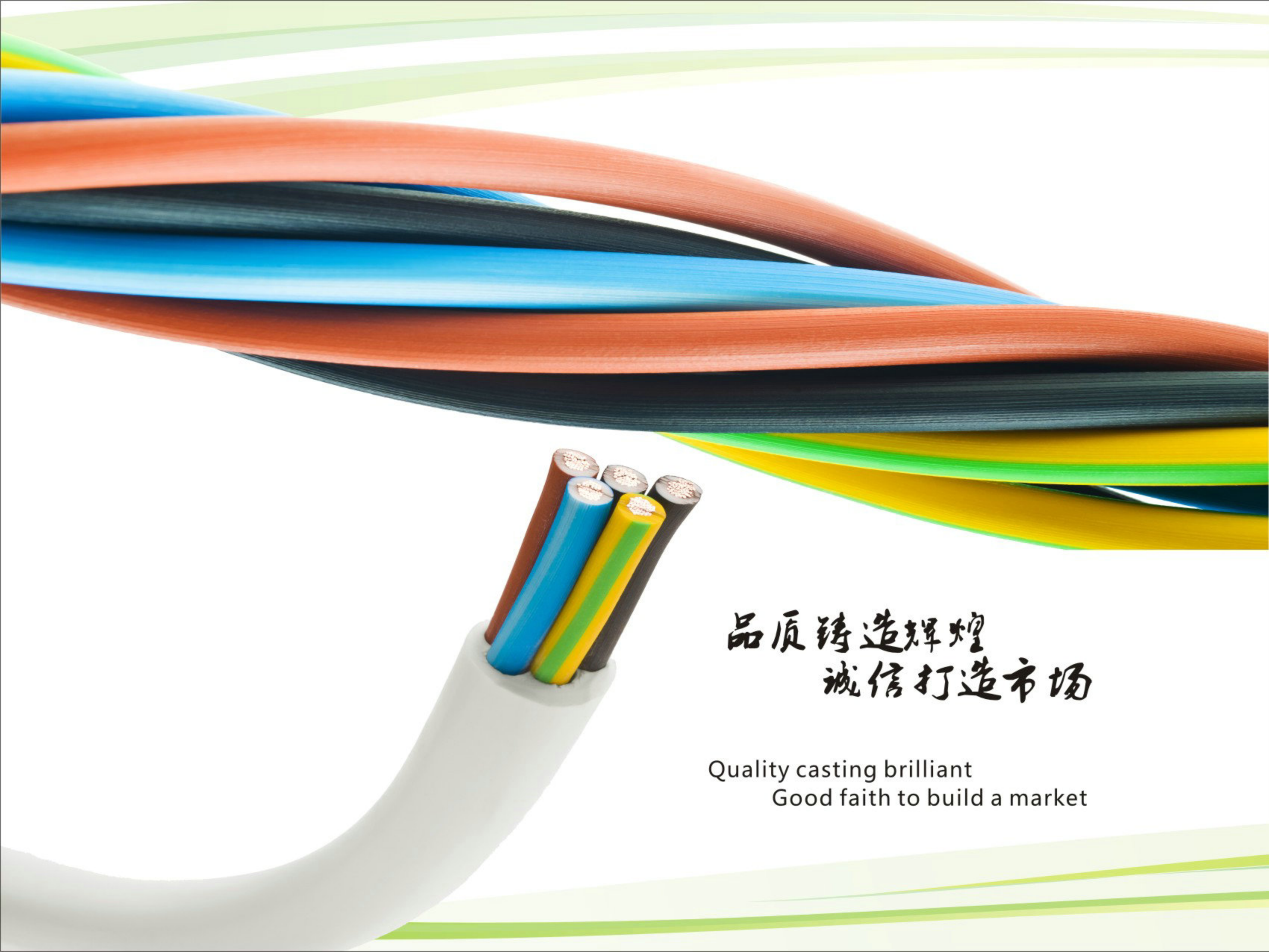


**蘇州泰方機械有限公司**

SUZHOU TAIFANG MACHINERY CO., LTD

**电线电缆设备专业供应商**

Professional supplier of wire and cable equipment



品质铸造辉煌  
诚信打造市场

Quality casting brilliant  
Good faith to build a market

# 公司简介

## Company Profile

泰方机械 (TFJX) 总部设于江苏昆山, 在东莞与苏州都设有工厂, 苏州泰方机械有限公司长期致力于高速押出机、高速绞线机、自动高速裁线机、单绞成缆机等电线电缆设备及周边设备研发, 生产和销售为一体的高科技企业, 公司拥有一批专业并具有丰富行业经验的线缆与设备工艺专业人士。

自设厂以来, 我司在引进国外先进技术的基础上, 结合国内行业实践经验, 先后开发出太阳能光伏电缆设备、新能源充电桩电缆设备、7类网线全套生产设备、HDMI/DP/USB3.0高频数据线全套设备、多头拉丝机铜线主动放线机等当前国际先进水准的专业产品, 产品远销国内外。

多年来, 我们秉着诚信、开拓、创新的经营理念, 以人为本, 技术为核心, 客户至上的服务宗旨, 不断改进、完善及创新产品, 为客户提供从整厂规划-设备制造-设备运输-设备安装调试-成品电线生产-售后服务等一站式全程服务, 让客户享受到优质满意的售前、售中及售后服务, 热忱欢迎新老客户的光临指导和垂询。

Taifang Machinery (TFJX), headquartered in Kunshan, Jiangsu Province, has factories in Dongguan and Suzhou. Suzhou Taifang Machinery Co., Ltd. has long been committed to the research, development, production and sales of wire and cable equipment and peripheral equipment such as high-speed extruders, high-speed stranders, automatic high-speed cutting machines, single stranding machines. The company has a group of professional cable and equipment process professionals with rich industry experience.

Since its establishment, our company has developed professional products at the current international advanced level, including solar photovoltaic cable equipment, new energy charging pile cable equipment, a complete set of production equipment for 7 types of network cables, a complete set of HDMI/DP/USB3.0 high-frequency data cable equipment, and multi head wire drawing machine copper wire active release machine, based on the introduction of advanced foreign technologies and combined with domestic industry practice experience. Our products are exported to both domestic and foreign markets.

Over the years, we have been adhering to the business philosophy of integrity, development and innovation, people-oriented, technology as the core, and customer first, constantly improving, improving and innovating products, and providing customers with one-stop whole process services from whole plant planning - equipment manufacturing - equipment transportation - equipment installation and commissioning - finished product line production - after-sales service, so that customers can enjoy high-quality and satisfactory pre-sales, sales and after-sales services, Warmly welcome new and old customers to visit and inquire.

# 目录

## Directory

### 一、高速挤出机系列 High-speed extrusion machine series

P1	电子线电源线挤出机	Electrical wire Power wire Extrusion machine
P2	民用建筑布线挤出机生产线	Building Cable extrusion machine
P3	光伏线双层共挤挤出机	Photovoltaic cable extrusion machine
P4	高速汽车线挤出机	High-speed Auto Cable extrusion machine
P5	电力电缆挤出机	Power cable extrusion machine
P6	聚酯纤维柔性打包带生产线	Polyester fiber flexible packing line
P7	电脑排线挤出机	Computer cable extrusion machine
P8	低烟无卤挤出机	Low smoke halogen free extrusion machine
P9	铁氟龙(氟塑料)挤出机	Teflon (fluorine plastic) extrusion machine
P10	硅胶连续硫化挤出机	Silicone continuous vulcanization extrusion machine
P11	辐照橡胶挤出机	Radiation rubber extrusion machine
P12	化学发泡挤出机	Chemical Foam Extrusion machine

### 二、高速束线机系列 High speed twisting machine series

P13	高速绞线机	High speed twisting machine
P14	高速双绞成缆机	High-speed Double-twist cabling machine
P15	旋框式单绞成缆机	Rotary frame type single twisting cabling machine
P16	悬臂式单绞成缆机	Cantilever type single twisting cabling machine
P17	卧式悬臂单绞机	Horizontal cantilever single twister machine
P18	高速对绞机	High speed pair twisting machine
P19	立式双盘退扭对绞机	Vertical dual bobbin back-twist pair twisting machine

### 三、高速绕包机系列 High speed wrapping machine series

P20	极细线全自动高速绕包机	Very thin wire automatic high-speed wrapping machine
P21	单层高速绕包机	Single-layer high speed wrapping machine
P22	双层高速绕包机	Double-layer high speed wrapping machine
P23	三层高速绕包机	Three-layer high-speed wrapping machine
P24	四氟薄膜绕包烧结机	PTFE film wrapping sintering machine
P25	USB3.1立式缠绕双包机	USB3.1 cable vertical winding double-layer wrapping machine
P26	防火电缆卧式多层绕包机	Fireproof cable horizontal multi-layer wrapping machine

### 四、自动成圈机系列 Automatic section coiling machine series

P27	小截面高速自动成圈打扎机	Small cross high speed automatic section coiling machine
P28	中截面高速自动成圈打扎机	Middle cross high speed automatic section coiling machine
P29	大截面高速自动成圈打扎机	Big cross high speed automatic section coiling machine
P30	高速网状成圈机	High speed reticulated coiling machine

## 五、其它线缆辅助设备 Other cable auxiliary equipment

P31-----	立式注条机	Vertical injection machine
P32-----	卧式注条机	Horizontal injection machine
P33-----	履带式牵引机	Caterpillar
P34-----	上色过油机	Color oil machine
P35-----	高速裁线机	High-speed cutting machine
P36-----	高速缠绕机	High speed winding machine

## 六、放线机系列 Pay-off machine series

P37-----	立式张力放线架	Vertical tension pay-off
P37-----	双排卧式被动放线架	Double-row horizontal passive pay-off
P37-----	日式双轴放线架	Japanese-style dual-axis pay-off
P37-----	高速主动放线架	High-speed active pay-off
P37-----	单轴主动张力放线架	Single-axis active tension pay-off
P38-----	双轴主动张力放线架	Double axis active tension pay-off
P38-----	无轴式被动张力放线架	Shaftless passive tension pay-off
P38-----	无轴式主动张力放线架	Shaftless Active Tension pay-off
P38-----	多头主动张力放线架	Multi-headed active tension pay-off
P38-----	多头拉丝铜线放线架	Multiple wire drawing copper wire pay-off
P38-----	端轴式被动放线架	End shaft type passive pay-off
P38-----	龙门式放线架	Gantry type pay-off

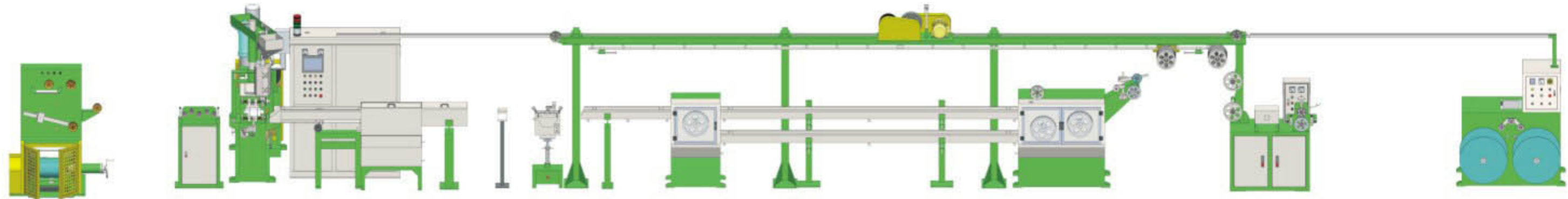
## 七、收线机系列 Take-up machine series

P39-----	单轴收线机	Single axis take-up machine
P39-----	双轴收线机	Double axis take-up machine
P39-----	无轴式双轴收线机	Shaftless double axis take-up machine
P39-----	无轴式收线机	Shaftless take-up machine
P40-----	半自动换盘收线机	Semi-automatic changer take-up machine
P40-----	象鼻式牵引收线机	Elephant-like traction take-up machine
P40-----	端轴式收排线机	End-axis take-up machine
P40-----	龙门式收排线机	Gantry type take-up machine

## 八、周边设备及配件 Peripheral equipment and accessories

P41-----	高速印字机	High speed printer
P41-----	轮式计米器	Wheeled meter counter
P41-----	欧式计米器	European meter counter
P41-----	立式张力架	Vertical tension frame
P41-----	双轮式张力机	Double wheel tensioner
P41-----	工频火花机	Power frequency spark machine
P42-----	高频火花机	High-frequency spark machine
P42-----	激光测径仪	Laser caliper
P42-----	加热型过粉机	Heating type powder machine
P42-----	铜线预热器	Copper wire preheater
P42-----	梅花落桶机	Plum shaped bucket machine
P42-----	铜粉过滤机	Copper powder filter

电子线电源线押出机  
Electrical wire Power wire Extrusion machines



一.【用途 Application】:

适用于PVC、PP、PE等塑料高速挤出,主要用于生产UL电子线、电脑线芯线、电源线芯线、汽车线、BV、BVV建筑线、电源线、电脑线、绝缘线外被护套挤出、电源线、电力电缆等押出生产。

Suitable for high-speed extrusion of plastics such as PVC, PP, and PE. It is mainly used for the production of UL electronic wires, computercore wires, power cord wires, automotive wires, BV, BVV construction wires, power cords, computer wires, and insulation wires. Sheath extrusion, power cords, power cables, etc. are produced by extrusion.

二.【设备组成 Structure of Equipment】:

由放线架、整直器、主机、主控柜、印字机、水槽、轮式牵引机(履带牵引机)、储线架、火花机、双轴或无轴收线机等附件组成.可选配主动式放线、过粉机、无轴放线、铜线预热器、镭射激光测径仪、高频火花机等。

It consists of pay-off racks, straighteners, mainframes, main control cabinets, printers, sinks, wheel-type tractors (crawler tractors), storage racks, spark machines, twin-shaft or shaftless take-up machines and other accessories. Optional active line, powder machine, non-axis line, copper preheater, laser laser diameter measuring instrument, high-frequency sparks and so on.

三.【技术规格 Technique Specifications】:

规格型号 Model	SF-35	SF-45orSF-50	SF-65 or SF-70	SF-80mm	SF-90mm
放线型式 Pay-off type	被动/主动 Active/passive			双轴/大轴Double/Big shaft type	
放线线轴 Pay-off bobbin	300-500mm	500-630mm	500-630mm	500-630mm	630-1200mm
螺杆直径 Screw diameter	Φ35mm	Φ45mm or 50mm	Φ65mm or 70mm	Φ80mm	Φ90mm
螺杆长径比 Screw L/D ratio	26 : 1	26 : 1	26 : 1	26 : 1	25 : 1
押出量 Extrusion amount	40kg/h	60kg/h	120kg/h	180kg/h	230kg/h
主机马达功率 Main motor power	10HP	20HP	30HP	40HP	50HP
线径规格 Wire diameter	Φ0.4-3.0mm	Φ1.0-5mm	Φ2.0-15mm	Φ3.0-20mm	Φ4.0-25mm
温控 Temperature control	5段5 Segment	5段5 Segment	6段6 Segment	7段7 Segment	7段7 Segment
冷却装置 Cooling device	U型单层 / 双层 Single layer/Double layer U-type			U型单层 Single layer U-type	
引取功率 Capstan power	3HP	3HP	5HP	7.5HP	7.5HP
储线架型式 Accumulator type	水平式 Horizontal	水平式 Horizontal	水平式 Horizontal	水平式 Horizontal	水平式 Horizontal
储线长度 Accumulate length	200M	200M	200M	200M	200M
出线速度 Outlet wire speed	MAX500M/min	MAX500M/min	MAX500M/min	MAX400M/min	MAX300M/min
收线型式 Take-up type	扎装/轴装 Shaft install/bundle install			双轴 Double axis	双轴 Double axis
收线线轴 Take-up bobbin	500-630mm	500-630mm	500-630mm	630-800mm	630-800mm
电气控制 Electric control	PLC 全电脑控制 PLC control				

## 民用建筑布线挤出机生产线 Building Cable extrusion machine



自动摇盘包膜机  
Automatic coiling&wrapping machine



### 一. 【用途 Application】:

适用于生产各类BV、BVN、BVR、RV、尼龙护套、低烟无卤阻燃环保建筑用电缆。

Adapt to the production of various types of BV, BVN, BVR, RV, nylon sheath, low-smoke halogen-free flame-retardant green building wires.

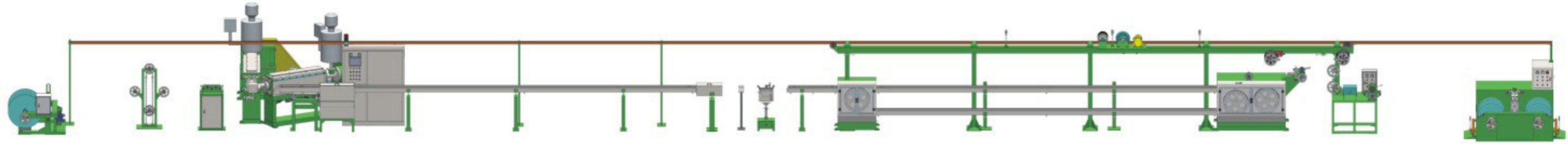
### 二. 【技术特点 Technique Feature】:

1. 本系列生产线有适用不同工艺及材料而设计的挤出加强结构，能适应色条、色皮与低烟无卤、尼龙护套共挤等工艺要求。
  2. 根据不同的工艺要求，可选配电脑自动摇盘包膜一体机、双轴自动换轴收线机、普通双轴半自动收线机及简易成圈机等。
1. This series of production line has a different extrusion process and materials designed to strengthen the structure, can adapt to color strips, color and low-smoke halogen-free, nylon jacket coextrusion and other technical requirements.
  2. According to different technological requirements, optional computer automatic shake plate coating machine, dual-axis automatic change-axis take-up machine, ordinary two-axis semi-automatic take-up machine and simple circle forming machine.

### 三. 【技术规格 Technique Specifications】:

规格型号 Model	SF-50+35	SF-70+35	SF-90+45
挤出材料 Extrusion material	PVC、PE、PP、PU、NYLON、TPE.....		
放线型式 Pay-off type	动力放线或被动放线	动力放线或被动放线	动力放线或被动放线
放线线轴 Pay-off bobbin	PN500-630	PN500-630	PN500-630
螺杆直径 Screw diameter	Φ50+35	Φ70+35	Φ90+45
螺杆长径比 ScrewL/D ratio	26 : 1	26 : 1	25 : 1
挤出量 Extrusion amount	60kg/h	180kg/h	230kg/h
主机马达功率 Main motor power	20HP	30HP	50HP
线径规格 Wire diameter	Φ0.1-3.5mm	Φ2.0-8.0mm	Φ2.0-10mm
温控 Temperature control	6段6 Segment	6段6 Segment	6段6 Segment
冷却装置 Cooling device	U型双层 Double layer U-type	U型双层 Double layer U-type	U型双层 Double layer U-type
引取功率 Capstan power	5HP	5HP	7.5HP
储线架型式 Accumulator type	斜式/水平式 Inclined/Horizontal	水平式 Horizontal	水平式 Horizontal
储线长度 Accumulate length	200M	200M	200M
出线速度 Outlet wire speed	MAX600M/min	MAX500	MAX500
收线型式 Take-up type	双轴 Double axis	双轴 Double axis	双轴 Double axis
收线线轴 Take-up bobbin	PN500-630	PN500-630	PN630-800
电气控制 Electric control	PLC 全电脑控制 PLC control	PLC 全电脑控制 PLC control	PLC 全电脑控制 PLC control

## 光伏线双层共挤押出机 Photovoltaic cable extrusion machine



### 一.【设备用途 Application】:

适应于生产太阳能光伏电缆、低烟无卤料电缆、辐照电缆、XL-PE交联聚乙烯电缆；同时也适应于PVC、PE等常规塑料挤出，主要用于4平方、6平方等太阳能光伏电缆的押出生产。

Adapted to the production of solar photovoltaic cable, low-smoke halogen-free material cable, irradiation cable, XL-PE cross-linked polyethylene cable; also suitable for PVC, PE and other conventional plastic extrusion, mainly used for 4 mm<sup>2</sup>, 6 mm<sup>2</sup> and other solar energy Extrusion production of photovoltaic cables.

### 二.【技术特点 Technique Feature】:

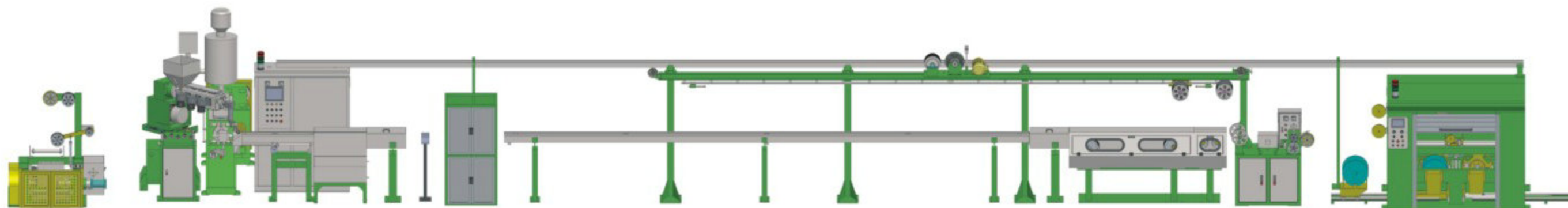
1. 精密的押出工艺控制，押出外径误差可控制在±0.05mm，生产6平方线的线速度达到120米以上。
  2. 专配卧式押出附机，满足双层共挤等特殊工艺技术要求。
  3. 专配先进的辐照料双层共挤机头，保障产品绝缘厚度及同心度等各种工艺要求。
  4. 专配快速连接法兰机头，可实现快速停机更换双层颜色，大大提高生产效率。
1. Precise extrusion process control, extrusion diameter error can be controlled in ± 0.05mm, the production of 6 mm<sup>2</sup> line speed of 120 meters or more.
  2. Specially equipped with horizontal extrusion machine, to meet the special technical requirements such as double co-extrusion.
  3. Specially equipped with advanced irradiating material double-layer co-extruder head to guarantee various technical requirements such as product insulation thickness and concentricity.
  4. Specially equipped with quick-connect flanged head, it can realize quick stop and replace double colors, which greatly improves production efficiency.

### 三.【技术规格 Technique Specifications】:

规格型号 Model	SF-70+80	SF-80+90
押出材料 Extrusion material	低烟无卤料、XL-PE、PVC、辐照交联等 Low-smoke halogen-free material, XL-PE, PVC, radiation crosslinking, etc.	
放线型式 Pay-off type	动力放线或被动放线 Active/passive	
放线线轴 Pay-off bobbin	PN500-630	PN500-630
螺杆直径 Screw diameter	Φ70+80	80Φ90
螺杆长径比 Screw L/D ratio	26 : 1	26 : 1
押出量 Extrusion amount	120 kg/h	180 kg/h
主机马达功率 Main motor power	50HP+60HP	60HP+70HP
线径规格 Wire diameter	Φ3.0-10.0mm	3.0-10.0mm
温控 Temperature control	6+7 段 6+7 Segment	6+7段 6+7Segment
冷却装置 Cooling device	U型单层/双层 Single layer/Double layer U-type	U型单层/双层 Single layer/Double layer U-type
引取功率 Capstan power	5HP	7.5HP
储线架型式 Accumulator type	水平式 Horizontal	水平式 Horizontal
储线长度 Accumulate length	200M	200M
出线速度 Outlet wire speed	MAX150	MAX180



## 高速汽车线挤出机 High-speed Auto Cable extrusion machine



### 一.【用途 Application】:

适用于生产汽车专用花线、低压普通电线AV、低压薄皮电线AVS、低压超薄皮电线AVSS、电子照射PVC低压电线AVS、电子照射PE低压电线AEX、低压压缩导体薄皮CAVS等。应用于PVC、PE等常规塑料挤出,主要用于汽车电子线、芯线等挤出生产。

Adapted to the production of special car wire, low voltage ordinary wire AV, low voltage thin skin wire AVS, low voltage ultra thin skin wire AVSS, electronic irradiation PVC low voltage wire AVS, electronic irradiation PE low voltage wire AEX, low voltage compression conductor thin skin CAVS, etc. Expulsion of conventional plastics such as PE is mainly used for the production of automotive electronic wires and core wires.

### 二.【技术特点 Technique Feature】:

1. 精密的挤出工艺控制, 挤出外径误差可控制在 $\pm 0.01\text{mm}$ , 生产线线速度达到1000米或更高。
  2. 专配移动立式挤出附机或其他形式之附机, 满足多色条、色皮共挤等特殊工艺技术要求。
  3. 收线可选配微电脑全自动摇盘机、梅花落桶收线机、双轴全自动收线机, 以满足不同的电线包装要求。
1. Precise extrusion process control, out of diameter error can be controlled in  $\pm 0.01\text{mm}$ , the production line speed of 1000 meters or more.
  2. Specially equipped with mobile vertical extrusion machine or other forms of attached machine, to meet the multi-color, color skin co-extrusion and other special technical requirements.
  3. The line can be equipped with a micro-computer automatic shaking machine, plum falling barrel take-up machine, and dual-axis automatic take-up machine to meet different wire packaging requirements.

### 三.【技术规格 Technique Specifications】:

规格型号 Model	SF-60+35	SF-70+35	SF-90+45
挤出材料 Extrusion material	PVC、PE、SR-PVC.....		
放线型式 Pay-off type	动力放线 Activetype	动力放线 Active type	动力放线 Activetype
放线线轴 Pay-off bobbin	PN500-630	PN500-630	PN500-630
螺杆直径 Screw diameter	$\Phi 60+35\text{mm}$	$\Phi 70+35\text{mm}$	$\Phi 90+45\text{mm}$
螺杆长径比 Screw L/D ratio	26 : 1	26 : 1	26 : 1
挤出量 Extrusion amount	90 kg/h	120 kg/h	230 kg/h
主机马达功率 Main motor power	25HP	30HP	50HP
线径规格 Wire diameter	$\Phi 0.1-3.5\text{mm}$	$\Phi 0.2-6.0\text{mm}$	$\Phi 0.2-8.0\text{mm}$
温控 Temperature control	6+3段 6+3Segment	6+3段 6+3Segment	7+3段 7+3Segment
冷却装置 Cooling device	U型双层 Doublelayer U-type	U型双层 Doublelayer U-type	U型双层 Doublelayer U-type
引取功率 Capstan power	5HP	5HP	7.5HP
储线架型式 Accumulator type	水平式 Horizontal	水平式 Horizontal	水平式 Horizontal
储线长度 Accumulate length	200M	200M	200M
出线速度 Outlet wire speed	MAX1000m/min	MAX1000m/min	MAX1000m/min
收线型式 Take-up type	全自动双盘收线 Automatic double-dish harvest		
收线线轴 Take-up bobbin	PN500-630	PN500-630	PN500-630
电气控制 Electric control	PLC 全电脑控制 PLC control	PLC 全电脑控制 PLC control	PLC 全电脑控制 PLC control

## 电力电缆押出机 Power cable extrusion machine



### 一.【用途 Application】:

适用于PVC、PE等常规塑料押出,主要用于电源线、电力电缆等押出生产。

Adapted to conventional plastic extrusion such as PVC and PE, it is mainly used for extrusion production of power cables and powercables.

### 二.【设备组成 Structure of Equipment】:

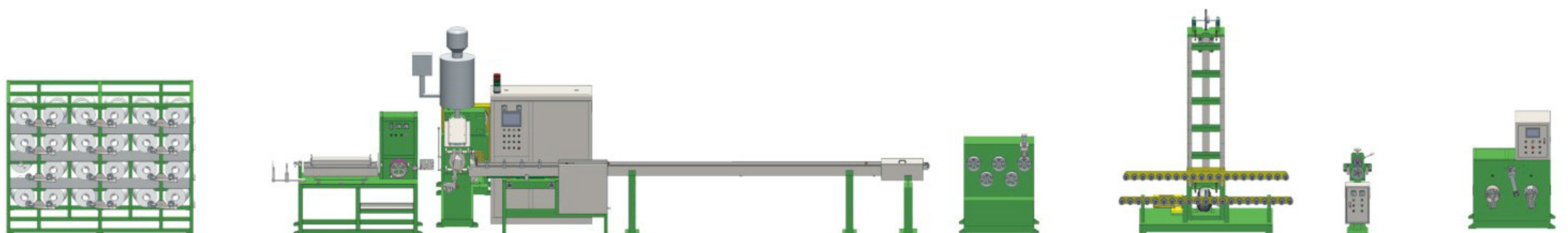
由无轴放线、整直器、主机、主控柜、水槽、轮式牵引机(履带牵引机)、火花机、无轴收线机等组成。

It is composed of non-axis pay-off line, straightener, main engine, main control cabinet, sink, wheel-type tractor (crawler tractor), spark machine, and non-axis take-up machine.

### 三.【技术规格 Technique Specifications】:

规格型号 Model	SF-70	SF-80	SF-90	SF-100	SF-120	SF-150
放线型式 Pay-off type	双轴 Double axis		双轴 /大轴 Double axis/ Big shaft type		大轴 Big shafttype	
放线线轴 Pay-off bobbin	500-630mm	500-630mm	630-1250mm	800-1250mm	1250-2000mm	2000-2500mm
螺杆直径 Screw diameter	Φ70mm	Φ80mm	Φ90mm	Φ100mm	Φ120mm	Φ150mm
螺杆长径比 Screw L/D ratio	25 : 1	25 : 1	25 : 1	25 : 1	25 : 1	25 : 1
押出量 Extrusion amount	120 kg/h	180 kg/h	230 kg/h	280 kg/h	380 kg/h	550 kg/h
主机马达功率 Main motor power	30HP	40HP	50HP	90HP	100HP	120HP
线径规格 Wire diameter	Φ2.0-15.0mm	Φ3.0-20.0mm	Φ4.0-25.0mm	Φ5.0-40.0mm	Φ10-80.0mm	Φ15-120.0mm
温控 Temperature control	6段 6 Segment	7段 7 Segment	7段 7 Segment	8段 8 Segment	8段 8 Segment	8段 8 Segment
冷却装置 Cooling device	U型单层/双层 Single layer/Double layer U-type			U型单层 Single layer U-type		
引取功率 Capstan power	5HP	7.5HP	7.5HP	7.5HP	10HP	15HP
储线架型式 Accumulator type	水平式 Horizontal				无	无
储线长度 Accumulate length	200M	200M	200M	无	无	无
出线速度 Outlet wire speed	MAX500m/min	MAX400m/min	MAX300m/min	MAX250 m/min	MAX150m/min	MAX100m/min
收线型式 Take-up type	双轴 /大轴 Double axis/Big shaft type			大轴 Big shaft type		
收线线轴 Take-up bobbin	630-800mm	630-800mm	800-1250mm	800-1250mm	1250-2500mm	2500-3150mm
电气控制 Electric control	PLC 全电脑控制 PLC control					

## 聚酯纤维柔性打包带生产线 Polyester fiber flexible packing line



### 一. 【用途 Application】:

适应于PVC、PP、PE等塑料高速挤出, 主要用于生产柔性打包带、聚酯纤维打包带、纤维打包带、纤维捆绑带等挤出生产。  
It is suitable for high-speed extrusion of plastics such as PVC, PP, and PE. It is mainly used for the production of flexible packaging tapes, polyester fiber packaging tapes, fiber packaging tapes, and fiber binding tapes.

### 二. 【技术特点 Technique Feature】:

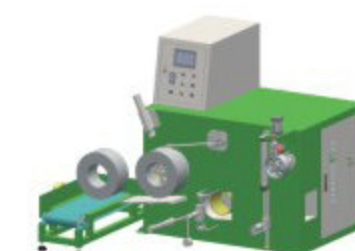
机头采用免调自定心机头, 配备专用储线架, 引进台湾技术, 结合多年的生产制造经验, 经完善后, 提升了打包带的生产速度, 同时也解决了厚薄不均, 附着力差, 张力不均, 裁断后纤维丝内缩等问题, 断线次数及废品率显著降低等优点, 为聚酯纤维柔性打包带生产厂家的首选设备。

The head adopts a self-adjusting, self-aligning head, and is equipped with a special storage rack. The introduction of Taiwan technology, combined with years of manufacturing experience, has improved the production speed of the packing belt, and has also solved uneven thickness and adhesion. Poor, unequal tension, shrinkage of filaments after cutting, etc., the number of disconnections and the rate of rejection are significantly reduced, and is the preferred equipment for manufacturers of flexible polyester strapping tapes.

### 三. 【设备组成 Structure of Equipment】:

由放线架、烤箱、张力机、分线梳、主机、主控柜、水槽、五辊式牵引机、储线架、双轴自动涨紧收卷机等附件组成。

It is composed of pay-off racks, ovens, tensioners, branching combs, mainframes, main control cabinets, sinks, five-roller tractors, storage racks, and two-axis automatic tensioners.

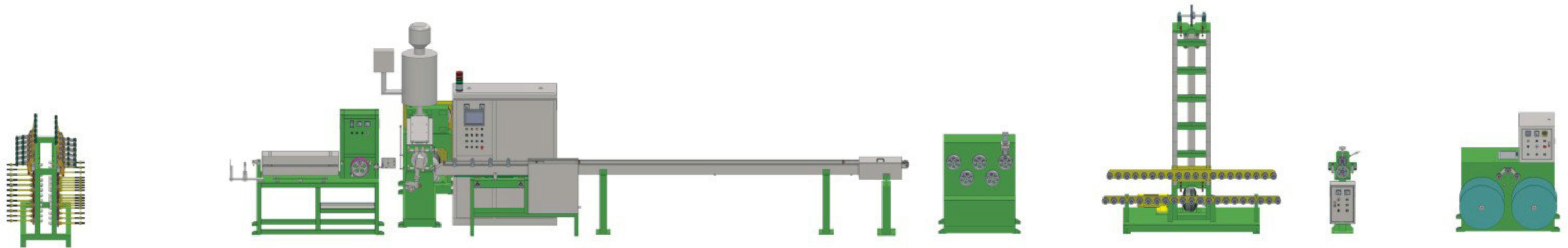


打包带自动成圈机  
Packing belt automatic looping machine

### 四. 【技术规格 Technique Specifications】:

规格型号 Model	SF-70	SF-80
放线架 Pay-off type	张力纱架 300mm以下 Tension creel below 300mm	
给丝直径 Wire diameter	1000D-9000D	1000D-9000D
成品厚度 Thickness of finished product	0.8-1.25mm	0.8-1.25mm
成品宽度 Finished product width	9.0-32mm	9.0-45mm
挤出速度 Extrusion speed	5-120m/min	5-150m/min
螺杆直径 Screw diameter	70mm	80mm
螺杆长径比 Screw L/D ratio	26 : 1(L/D)	26 : 1(L/D)
螺杆速度 Screw speed	5-60rpm	5-50rpm
挤出量 Extrusion amount	140(kg/h)	200(kg/h)
主机功率 Monitor rate	22(kw)	30(kw)
引取功率 Power draw	1.5(kw)	1.5(kw)
并数 Number of pin	12-21	12-25
电气控制 Electric control	PLC 全电脑控制 PLC control	PLC 全电脑控制 PLC control

## 电脑排线押出机 Computer cable extrusion machine



### 一.【用途 Application】:

适应于生产UL2468、2651、2678等电脑扁平排线。

Adapted to produce UL2468,2651,2678 and other computer flat cable.

### 二.【技术特点 Technique Feature】:

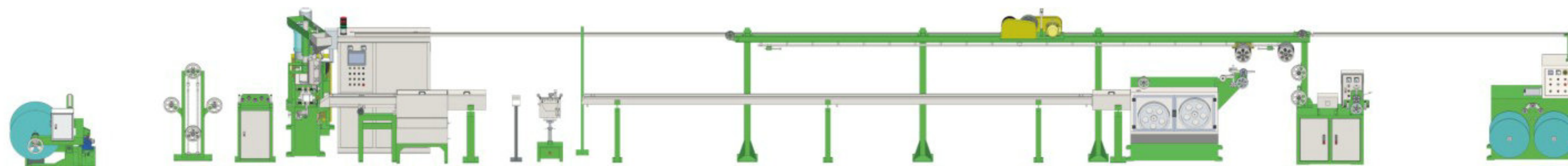
机头采用免调自定心机头，配备专用储线架，引进台湾技术，结合多年的生产制造经验，经完善后，提升了线材押出速度，同时也解决了厚薄不匀，附着力差，张力不匀，裁断后铜线内缩等问题，断线次数及废品率显著降低等优点，为排线生产厂家的首选设备，还可选择大屏幕镭射测径仪，监控线材宽度。

The head adopts a self-adjusting, self-aligning nose and a special storage rack. With the introduction of Taiwanese technology, combined with years of manufacturing experience, the wire rod extrusion speed has been improved, and the uneven thickness and adhesion have also been solved. Uneven tension, after the cutting of the copper wire shrinkage and other issues, the number of broken lines and the waste rate significantly reduced, etc., for the cable manufacturer's preferred equipment, you can also choose large-screen laser diameter measuring instrument to monitor the width of the wire.

### 三.【技术规格 Technique Specifications】:

规格型号 Model	SF-50	SF-70	SF-80
放线架 Pay-off type	MAX Φ 300mm	MAX Φ 300mm	MAX Φ 300mm
给丝直径 Wire diameter	Φ 0.15-2.0mm	Φ 0.30-3.50mm	Φ 1.0-6.0mm
成品厚度 Thickness of finished product	0.4-3.5mm	1.0-5.0mm	3.0-10mm
押出速度 Extrusion speed	5-120m/min	5-80m/min	5-50m/min
螺杆直径 Screw diameter	50mm	70mm	80mm
螺杆长径比 Screw L/D ratio	25mm	25mm	25mm
螺杆速度 Screw speed	5-70rpm	5-60rpm	5-50rpm
押出量 Extrusion amount	70kg/h	140kg/h	200kg/h
主机功率 Motor rate	11kw	22kw	30kw
引取功率 Power draw	2.2kw	4kw	5.5kw
并数 Number of pin	2-16pin(2468)	2-42 pin(2651)	2-86pin(2678)
电气控制 Electric control	PLC 全电脑控制 PLC control	PLC 全电脑控制 PLC control	PLC 全电脑控制 PLC control

## 低烟无卤挤出机 Low smoke halogen free extrusion machine



### 一.【设备用途 Application】:

适用于生产低烟无卤料电缆、辐照电缆、XL-PE交联聚乙烯电缆，主要用于低烟无卤电缆的挤出生产。

Adapted to the production of low smoke halogen-free material cables, irradiation cables, XL-PE cross-linked polyethylene cables, mainly for the production of low smoke halogen cable extrusion.

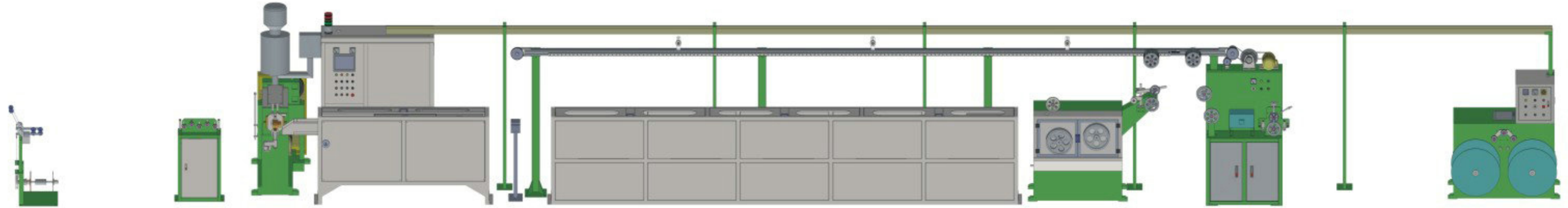
### 二.【技术特点 Technique Feature】:

1. 精密的挤出工艺控制，挤出外径误差可控制在 $\pm 0.05\text{mm}$ 。
  2. 可配卧式挤出附机，满足双层共挤等特殊工艺技术要求。
  3. 可配先进的辐照料双层共挤机头，保障产品绝缘厚度及同心度等各种工艺要求。
1. Precise extrusion process control, out of diameter error can be controlled in  $\pm 0.05\text{mm}$ .
  2. Can be equipped with horizontal extrusion machine, to meet the two-tier co-extrusion and other special technical requirements.
  3. Can be equipped with advanced irradiating material double-layer co-extruder head to ensure the product insulation thickness and concentricity and other technical requirements.

### 三.【技术规格 Technique Specifications】:

规格型号 Model	SF-50	SF-70	SF-90	SF-100	SF-120	SF-150
挤出材料 Extrusion material	低烟无卤料、XLPE、辐照料等 Low-smoke halogen-free material, XLPE, irradiation materials, etc.					
放线型式 Pay-off type	双轴 Double axis	双轴或大轴 Double axis/Big shaft type		大轴 Big shaft type	大轴 Big shaft type	大轴 Big shaft type
放线线轴 Pay-off bobbin	PN500-630mm	PN500-630mm	PN630-800mm	800-1250mm	1600-2000mm	2000-2500mm
螺杆直径 Screw diameter	$\Phi 50\text{mm}$	$\Phi 70\text{mm}$	$\Phi 90\text{mm}$	$\Phi 100\text{mm}$	$\Phi 120\text{mm}$	$\Phi 150\text{mm}$
螺杆长径比 Screw L/D ratio	26:1	26:1	26:1	25:1	25:1	25:1
挤出量 Extrusion amount	90kg/h	120kg/h	140kg/h	280kg/h	380 kg/h	500kg/h
主机马达功率 Main motor power	30HP	40HP	90HP	120HP	150HP	180HP
线径规格 Wire diameter	$\Phi 0.5-5.0\text{mm}$	$\Phi 2.0-15.0\text{mm}$	$\Phi 4.0-25.0\text{mm}$	$\Phi 5.0-40.0\text{mm}$	$\Phi 10-80.0\text{mm}$	$\Phi 15-120.0\text{mm}$
温控 Temperature control	6段6 Segment	6段6 Segment	7段7 Segment	8段8 Segment	8段8 Segment	8段8 Segment
冷却装置 Cooling device	U型双层 Double layer U-type			U型单层 Single layer U-type		
引取功率 Capstan power	5HP	5HP	7.5HP	7.5HP	10HP	15HP
储线架型式 Accumulator type	水平式 Horizontal	水平式 Horizontal	水平式 Horizontal	无	无	无
储线长度 Accumulate length	200M	200M	200M	无	无	无
出线速度 Outlet wire speed	MAX500M/min	MAX500M/min	MAX300M/min	MAX250M/min	MAX150M/min	MAX100M/min
收线型式 Take-up type	双轴 Double axis	双轴或大轴 Double axis/Big shaft type		大轴 Big shaft type	大轴 Big shaft type	大轴 Big shaft type
收线线轴 Take-up bobbin	PN500-630mm	PN500-630mm	800-1250mm	800-1250mm	1250-2500mm	2500-3150mm
电气控制 Electric control	PLC 全电脑控制 PLC control					

## 铁氟龙(氟塑料)押出机 Teflon (fluorine plastic) extrusion machine



### 一.【用途 Application】:

适用于生产铁氟龙(氟塑料)耐高温、电线、套管、各类薄皮绝缘多层押出、局域缆数据缆芯线押出、外被押出等。

Adapted to the production of Teflon (fluoroplastics) high temperature, wire, casing, all kinds of thin-skinned insulation multi-layered extrusion, local cable data cable core extrusion, and other out of the deduction.

### 二.【技术特点 Technique Feature】:

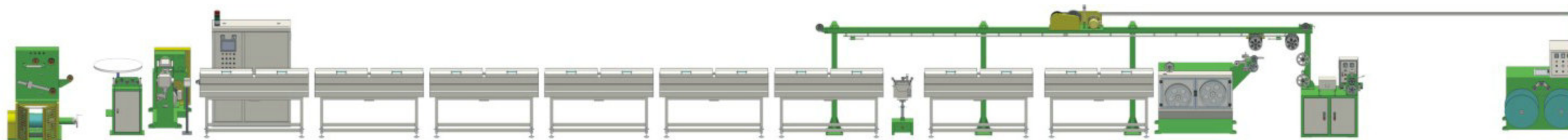
- 1.适用于FEP(聚全氟乙丙烯、又称F46)、FPA(氧化烷氧基乙稀树脂)及ESFE(又称F40)等氟塑料生产。
- 2.螺杆机筒:均采用新3号钢GH113(同美国GDA材质)耐腐蚀耐高温或采用进口哈氏金钢C-276。
- 3.机头:采用新3号金钢GH113材质的专用免调机头或可调机头或采用瑞士进口Microdia机头、抽真空装置。
- 4.加热系统:采用耐高温的铸铜合金加热器。

- 1.It is suitable for the production of fluoroplastics such as FEP (polyfluoroethylene-propylene, also known as F46), FPA (oxidized alkoxyethylene resin) and ESFE (also known as F40).
- 2.Screw barrel: all adopts the new No. 3 steel GH113 (same as the GDA material of the United States) and it is resistant to corrosion and high temperature, or it adopts imported Hastelloy C-276.
- 3.Machine head: The new No. 3 GM steel GH113 material special-purpose head or adjustable head or Switzerland imported Microdia head, vacuum device.
- 4.Heating system: High temperature resistant cast copper alloy heater.

### 三.【技术参数 Technique specifications】:

规格型号 Model	SF-20 or SF-25	SF-30 or SF-35	SF-45 or SF-50
给线直径 Feed wire diameter	0.06-0.2mm	0.16-2.0mm	0.4-4.0mm
完成线径 Complete outer diameter	0.16-2.0	0.5-3.5	0.8-5.0
出线速度 Outlet wire speed	10-150 M/min	10-100M/min	10-80 M/min
螺杆直径 Screw diameter	20mm 或 25mm	30mm 或 35mm	45mm 或 50mm
螺杆长径比 Screw L/D ratio	25:1	25:1	25:1
螺杆速度 Screw speed	10-100 rpm	10-100 rpm	10-100 rpm
押出量 Extrusion amount	20kg/h	40kg/h	60kg/h
主机马达功率 Main motor power	7.5HP	10HP	15HP
引取功率 Capstan power	3HP	3HP	3HP
收线功率 Take-up power	2HP	3HP	3HP
电气控制 Electric control	PLC全电脑控制 PLC control	PLC全电脑控制 PLC control	PLC 全电脑控制 PLC control

## 硅胶连续硫化挤出机 Silicone continuous vulcanization extrusion machine



### 一. 【用途 Application】:

适应于生产各种高温硅胶线缆和高温硅胶套管的挤出生产。

Adapted to the production of a variety of high temperature silicone cable and high temperature silicone tube extrusion production.

### 二. 【设备组成 Structure of Equipment】:

放线架、张力架、主机、机头、硫化管道、冷却、牵引、立式储线、过粉机、收线装置、电气控制等。

Pay-off racks, tension racks, mainframes, heads, vulcanization pipes, cooling, traction, vertical storage lines, powder mills, take-up devices, electrical controls, etc.

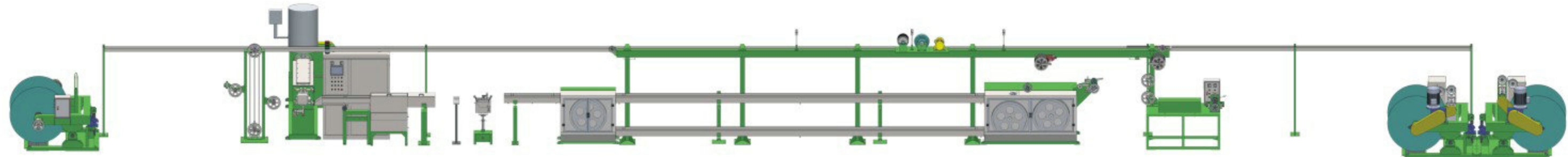
### 三. 【技术特点 Technique Feature】:

1. PLC+触摸屏操控，全程控制、调整、监控生产线各工艺参数。
  2. 硅胶专用螺杆、螺筒、机头、眼模及配套防止内部硫化结构。
  3. 硅胶专用免调自定心机头和水冷自动或手动控制系统。
  4. 配备精密检测反馈系统，确保线径精确，大大降低了成本。
1. PLC + touch screen control, full control, adjustment, monitoring of the process parameters of the production line.
  2. Silicone screws, barrels, noses, eye molds, and ancillary structures to prevent internal vulcanization.
  3. Silicone-free self-aligning head and water-cooled automatic or manual control system.
  4. Equipped with a sophisticated detection feedback system to ensure accurate wire diameter and greatly reduce costs.

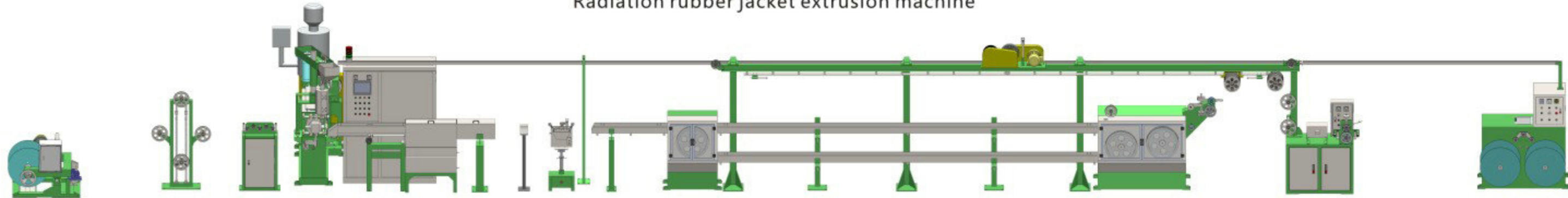
### 四. 【技术规格 Technique Specifications】:

规格型号 Model	SF-45	SF-65	SF-85	SF-115
主机马达功率 Main motor power	20HP	30HP	50HP	100HP
挤出量 Extrusion amount	30 kg/h	60kg/h	150 kg/h	250 kg/h
螺杆直径 Screw diameter	Φ45mm	Φ65mm	Φ85mm	Φ115mm
螺杆长径比 Screw L/D ratio	12:1	12 : 1	12:1	12:1
放线线轴 Pay-off bobbin	300/400	400/500	1000/1250	1250/1600
放线线径 Payoff line diameter	Φ0.2-3.0mm	Φ0.3-5.0mm	Φ1.0-20mm	Φ3-45mm
完成外径 Complete outer diameter	Φ0.8-5.0mm	Φ1.0-8.0mm	Φ3-25mm	Φ6-55mm
硫化长度 Vulcanization length	12M	16M	24M	28M
出线速度 Outlet wire speed	6-80M/min	6-80M/min	4-40 M/min	4-40M/min
收线型式 Take-up type	扎装/轴装 Shaft install/bundle install		双轴或大轴 Double axis/Big shaft type	
收线线轴 Take-up bobbin	400/500mm	400/630mm	1250/1600mm	1250/1600mm
电气控制 Electric control	PLC 全电脑控制 PLC control	PLC 全电脑控制 PLC control	PLC 全电脑控制 PLC control	PLC 全电脑控制 PLC control

辐照橡胶押出机  
Radiation rubber extrusion machine



辐照橡胶护套押出机  
Radiation rubber jacket extrusion machine



辐照橡胶芯线押出机  
Radiation rubber insulation extrusion machine

一. 【用途 Application】:

适用于生产橡胶电线电缆,可分别完成单层绝缘线缆,双层共挤线缆,带色条线缆及双平行线缆绝缘层和护套层的押出。

Adapted to the production of rubber wire and cable, can be completed single-insulated cable, double co-extruded cable, with color cable and double parallel cable insulation and jacket layer extrusion.

二. 【设备组成 Structure of Equipment】:

放线架、张力架、主机、机头、冷却、牵引、储线、收线装置、火花试验、电气控制等。

Take-off racks, tension racks, mainframes, heads, cooling, traction, storage lines, take-up devices, spark tests, electrical controls, etc.

三. 【技术参数 Technique specifications】:

规格型号 Model	SF-70+35	SF-90+45	SF-100	SF-120
放线型式 Pay-off type	磁粉张力放线 Magnetic powder tension	大轴式/无轴式 Big shaft type/Shaftless type		
放线线轴 Pay-off bobbin	500-630-800mm	630-800mm	800-1000-1250mm	800-1000-1250mm
螺杆直径 Screw diameter	Φ70+35mm	Φ90+45mm	Φ120mm	Φ120mm
螺杆长径比 Screw L/D ratio	25:1	25:1	25:1	25:1
线径规格 Wire diameter	2.0-4.0mm	3.0-8.0mm	5.0-12.0mm	6.0-15.0mm
押出量 Extrusion amount	130 kg/h	180 kg/h	200 kg/h	250 kg/h
主机马达功率 Main motor power	50HP	100HP	150HP	180HP
引取功率 Capstan power	5HP	7.5HP	10HP	20HP
出线速度 Outlet wire speed	0-150 M/min	0-150M/min	0-150 M/min	0-150M/min
冷却装置 Cooling device	U型单层/双层 Single layer/Double layer U-type			U型单层 Single layer U-type
储线长度 Accumulate length	200M	200M	200M	200M
收线型式 Take-up type	双轴 Double axis	双轴 Double axis	大轴 Big shaft type	大轴 Big shaft type
电气控制 Electric control	PLC 全电脑控制 PLC control			



## 化学发泡挤出机 Chemical Foam Extrusion machine



### 一.【用途 Application】:

适用于CAT5E、CAT6、IEEE1394、DVI、HDMI等芯线的双层共挤化学发泡或实心芯线挤出。

Suitable for double-layer co-extrusion chemical foaming or solid core extrusion for cores such as CAT5E, CAT6, IEEE1394, DVI, and HDMI.

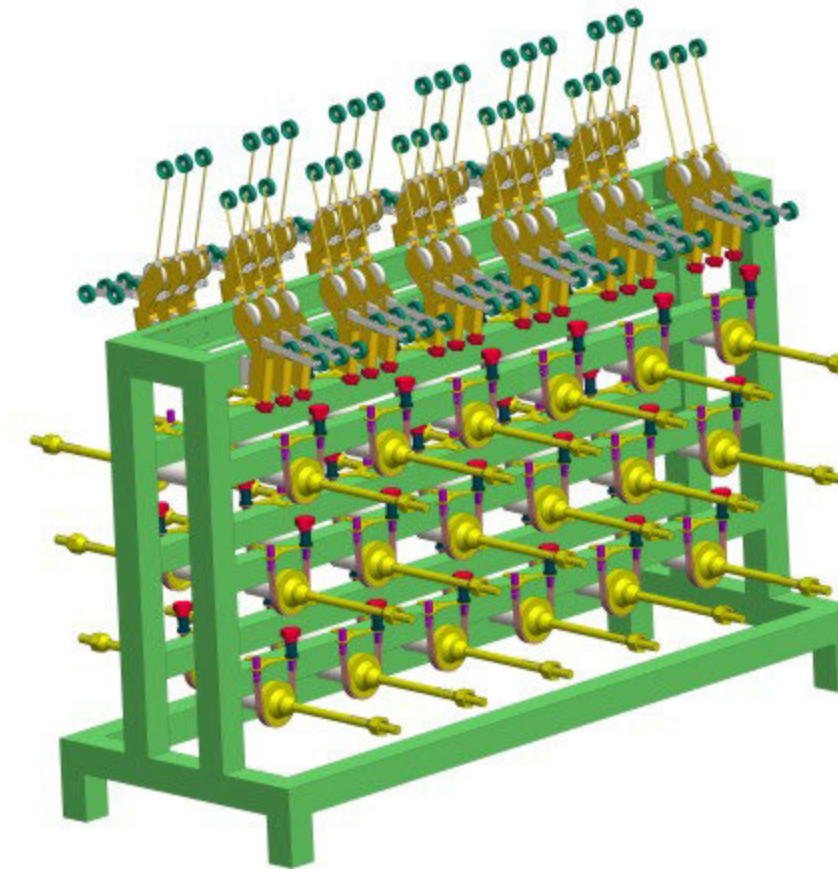
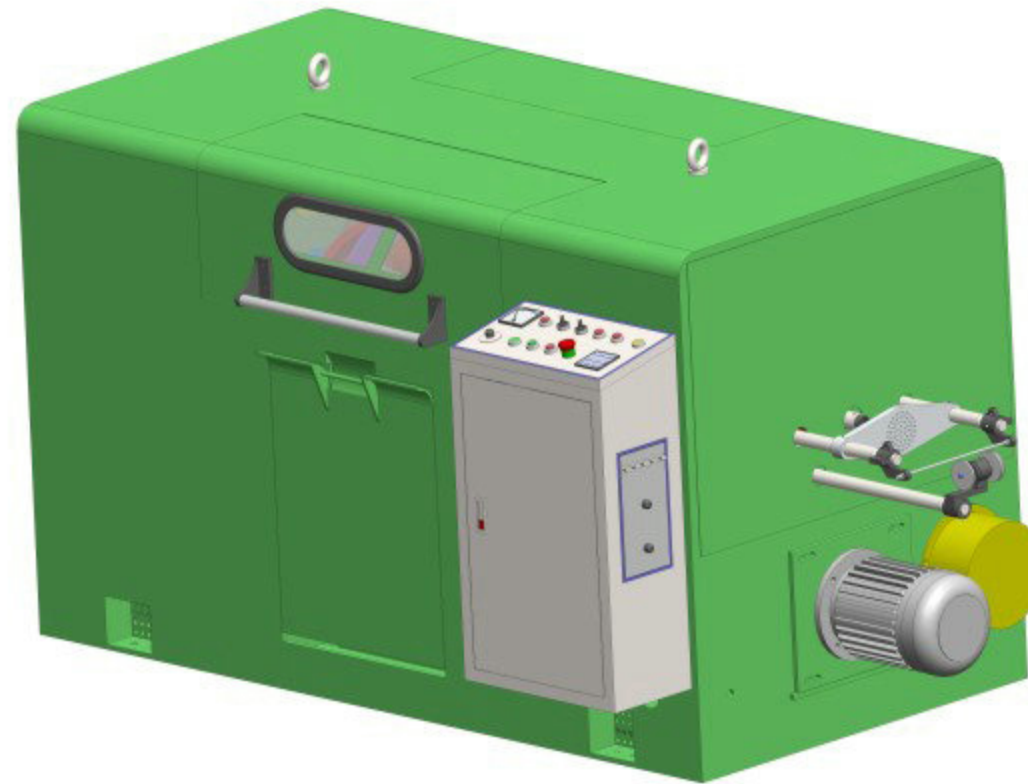
### 二.【技术特点 Technique Feature】:

- 1.适用材料:FM-PE、PE。
  - 2.整机速度:发泡芯线(Max)400m/min、实心芯线(Max)600m/min。
  - 3.品质控制:配备外径与电容检测装置,全程控制产品的外径,发泡度等工艺参数。
  - 4.机头:选配欧洲进口机头或国内优质双层机头,实现内外层精密挤出。
  - 5.电控:进口变频器+PLC触摸屏控制。
1. Applicable materials: FM-PE, PE, PP, PVC, SR-PVC.
  2. Overall speed: foam core (Max) 400m/min, solid core (Max) 600m/min.
  3. Quality control: Equipped with outer diameter and capacitance detection device, full control of product outside diameter, foaming degree and other process parameters.
  4. Machine head: Match Europe imported nose or domestic high-quality double head to achieve accurate extrusion inside and outside.
  5. Electronic control: imported inverter + PLC touch screen control.

### 三.【技术规格 Technique Specifications】:

规格型号 Model	SF-30+25	SF-40+30	SF-50+35
放线型式 Pay-off type	动力放线 Take the initiative	动力放线 Take the initiative	动力放线 Take the initiative
放线线轴 Pay-off bobbin	PN300-500	PN300-500	PN300-500
螺杆直径 Screw diameter	Φ30+25mm	Φ40+30mm	Φ50+35mm
螺杆长径比 Screw L/D ratio	25 : 1	25 : 1	25 : 1
挤出量 Extrusion amount	15 kg/h	25 kg/h	50 kg/h
主机马达功率 Main motor power	10HP	15HP	20HP
线径规格 Wire diameter	Φ0.5-2.0mm	Φ0.5-4.0mm	Φ0.5-6.0mm
温控 Temperature control	5+3段 5+3Segment	5+3段 5+3Segment	5+3段 5+3Segment
冷却装置 Cooling device	U型双层 Doublelayer U-type	U型双层 Doublelayer U-type	U型双层 Doublelayer U-type
引取功率 Capstan power	3HP	3HP	3HP
储线架型式 Accumulator type	水平式 Horizontal	水平式 Horizontal	水平式 Horizontal
储线长度 Accumulate length	200M	200M	200M
出线速度 Outlet wire speed	MAX400M/min	MAX400M/min	MAX400M/min
收线型式 Take-up type	双轴 Doubleaxis	双轴 Doubleaxis	双轴 Doubleaxis
收线线轴 Take-up bobbin	PN500-630mm	PN500-630mm	PN500-630mm
电气控制 Electric control	PLC 全电脑控制 PLC control	PLC 全电脑控制 PLC control	PLC 全电脑控制 PLC control

高速绞线机  
High speed twisting machine



一、【设备用途 Application】:

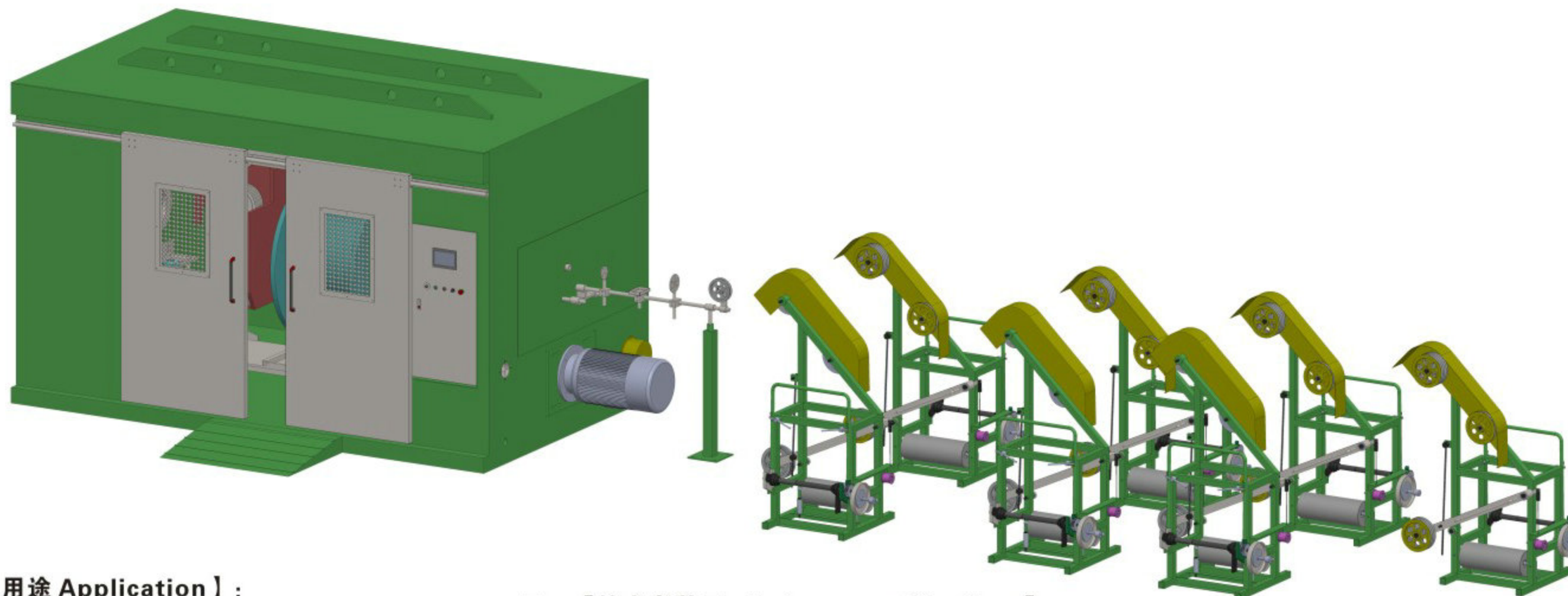
本机广泛应用于各类软/硬导体线(铜线、漆包线、镀锡线、铜包钢、铜包铝等)及电子线的绞合,如:电源线、电话线、音频线、视频线、汽车线、网络线等。

This machine is widely used in various types of soft/hard conductor wires(copper wire, enamelled wire, tin plated wire, copper clad steel, copper clad aluminum, etc.) and electronic wire twisting, such as: power line, telephone line, audio line, video Lines, car lines, network lines, etc.

二、【技术参数 Technique specifications】:

规格型号 Model	SF-200P	SF-300P	SF-500P or 400P	SF-630P
用途 Application	适应裸绞线、镀锡线、铜包铝、漆包线、合金线等绞合。 Adapt to bare twisted wire, tinned wire, copper clad aluminum, enameled wire, alloy wire twisted.			
回转速度 Rotate speed	4000r/min	3000r/min	3000r/min	1800r/min
给线径 Feed wire diameter	Φ0.025-Φ0.12	Φ0.05-Φ0.28	Φ0.08-Φ0.45	Φ0.23-Φ0.64mm
绞合截面积 Twisting area	0.005-0.08mm <sup>2</sup>	0.035-0.45mm <sup>2</sup>	0.035-2.0mm <sup>2</sup>	0.8-6.0mm <sup>2</sup>
绞距 Lay length	0.8 ~ 10.6mm	4.36 ~ 17.17mm	5.68 ~ 57.00mm	11.15 ~ 60.24mm
卷取轴 Take-up bobbin	Φ200×134×30mm	Φ300×134×30mm	Φ500×320×56mm	Φ630×375×80mm
驱动马达功率 Main motor power	3HP	5HP	7.5HP	10HP
机器尺寸 Machine size	1900×750×950mm	2455×1080×1102mm	2560×1350×1400mm	2850×1500×1660mm
绞向 Twist direction	S/Z 换向可以任意选择 S/Z commutation can be arbitrarily selected			
排线 Polish rod traverse	轴承式排线, 排辐、排距均可调整 Bearing wire, row spokes, row spacing can be adjusted			
制动 Brake	采用电磁刹车器, 内外部断线 Using electromagnetic brakes, internal and external disconnection			
收线张力 Take-up tension	磁粉离合器控制收线张力, 由 PLC 程序控制 Magnet powder clutch control tension, controlled by PLC program			

高速双绞成缆机  
High-speed Double-twist cabling machine



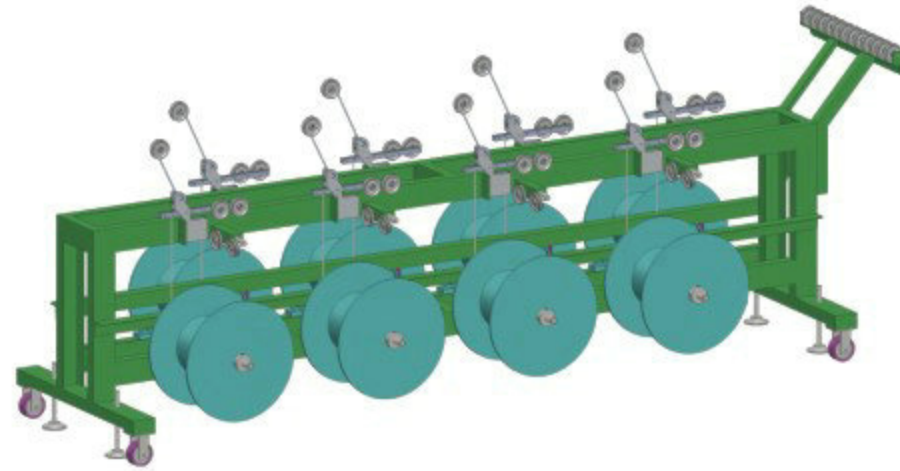
一、【用途 Application】:

适用于铜线绞合、绝缘芯线、五/六类数据电缆的绝缘对绞成缆，放线架由被动放线或双盘主动放线机组成。成布置摆放成一条线或背靠背形式，每台放线盘用变频高速电机主动放线，并由高灵敏的张力摆杆反馈控制放线张力，保证四对线绞合的张力均匀，节距稳定。Suitable for twisted and twisted copper cables, insulated core wires, and insulated cable pairs of Category 5/6 data cable. The payoff frame consists of passive payoff or double-disc active payoff. Arranged in a line or back-to-back format, each pay-off disc is actively driven by a variable-frequency high-speed motor, and the tension is feedback controlled by a highly sensitive tension pendulum to ensure that the tension of the four pairs of strands is evenly distributed and stable.

二、【技术参数 Technique specifications】:

规格型号 Model	SF-630P	SF-800P	SF-1000P	SF-1250P
用途 Application	三根以上数据缆或通讯缆的芯线绞合及多股铜线的绞合 Stranding of cores and strands of multiple copper strands of three or more data cables or communication cables			
回转速度 Rotate speed	Max:1800rpm	Max:800rpm	Max:600rpm	Max:500rpm
芯线给线范围 Core diameter	Φ0.8-3.5mm	Φ0.8-5.5mm	Φ0.8-6.5mm	Φ0.8-8mm
芯线绞合线径 Stranded outer diameter	Max:Φ8mm	Max: Φ12mm	Max:Φ16mm	Max:Φ20mm
铜线给线范围 Copper diameter	Φ0.1-0.5mm	Φ0.4-1.6mm	Φ0.45-2.0mm	Φ0.5-2.7mm
铜线绞合线径 Copper stranded outer diameter	Max:Φ3.5mm	Max: Φ6.5mm	Max:8.5mm	Max:Φ10mm
绞距 Lay length	30-200mm	30-200mm	30-200mm	30-200mm
卷取轴 Take-up bobbin	Φ630mm	Φ800mm	Φ1000mm	Φ1250mm
驱动马达功率 Main motor power	10HP	15HP	20HP	30HP
绞向 Twist direction	S/Z 换向可以任意选择 S/Z commutation can be arbitrarily selected			
制动 Brake	电磁刹车器，内外断线自动刹车 Electromagnetic brake,internal and external disconnection automatic brake			
收线张力 Take-up tension	磁粉张力控制，从空盘到满盘恒定张力 Magnetic powder tension control,constant tension from empty plate to full plate			

## 旋框式单绞成缆机 Rotary frame type single twisting cabling machine



### 一、【用途 Application】:

适用于各类电源线、数据缆、控制电缆以及其他特种线缆的芯线绞合成缆，并同时完成中心包带及侧放包带。

It is suitable for stranding of cores of various types of power cables, data cables, control cables, and other special cables, and it also completes the center strap and the side strap.

### 二、【设备组成 Structure of Equipment】:

放线架（主动放线、被动放线、退扭主动放线）、单绞机主机、中心包带机、侧放包带、计米装置、电控系统等。

Take-off line (active line, passive line, retreat initiative line), single twist machine host, center tape machine, side of the bag, meter device, electronic control system.

### 三、【技术特点 Technique Feature】:

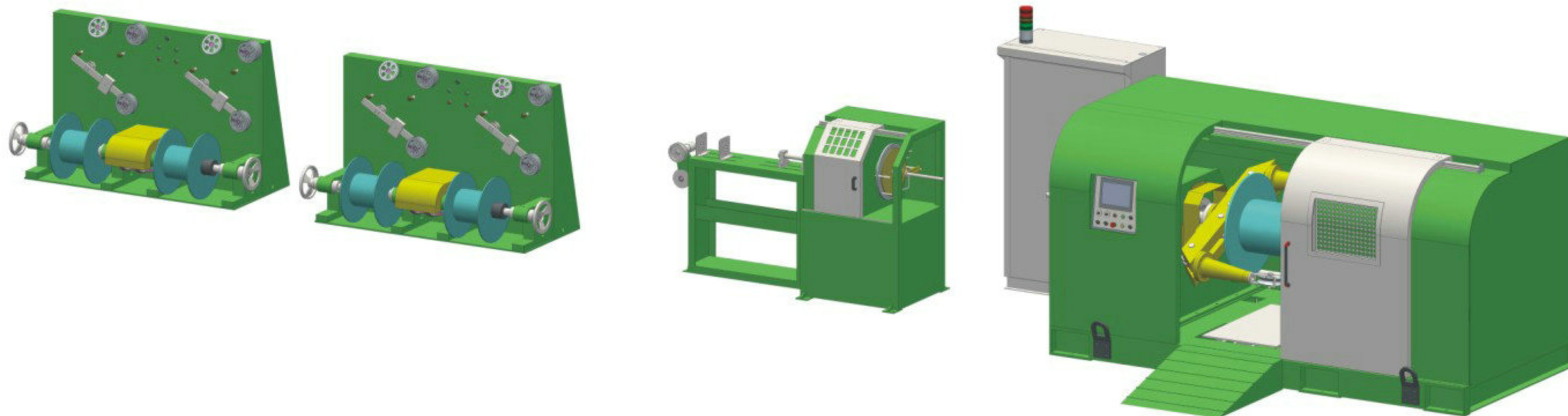
- 1.主动放线采用PLC全电脑控制，恒张力控制，保证四对绞线绞合均匀，节距稳定。
- 2.单节距绞合，绞合节距稳定，有齿轮绞距与电脑绞距两种机型，满足客户的不同需要。

1. Take the initiative to put the line to use PLC full computer control, constant tension control, to ensure that the four twisted pair stranded uniform, stable pitch.
2. Single-pitch twisting, stabilizing pitch, two types of gear twisting distance and computer twisting distance, to meet the different needs of customers.

### 四、【技术参数 Technique specifications】:

规格型号 Model	SF-630P	SF-800P	SF-1000P	SF-1250P
用途 Application	PE或PVC 被覆芯线绞合中心包带或侧放包带;适用材料:绵纸、麦拉带、铝箔、棉纸等 PE or PVC coated core stranded center strap or side strap;Applicable materials:tissue paper, Mylar tape,aluminum foil,cotton paper,etc.			
收线线轴 Take-up bobbin	630mmX360mm	800mmX500mm	1000mmX630mm	1250mmX800mm
放线线轴 Pay-off bobbin	400mm-500mm-630mm	400mm-500mm-630mm	400mm-500mm-630mm	400mm-500mm-630mm
放线型式 Pay-off type	主动放线、被动放线、退扭主动放线 Active line-up,passive line-out,and retraction			
适用线径 Core diameter	0.5mm-3.0mm	0.5mm-5.0mm	0.5mm-5.0mm	0.5mm-5.0mm
最大绞合外径 Stranded outer diameter	MAX15mm	MAX20mm	MAX25mm	MAX30mm
绞距 Lay length	10mm-180mm	20mm-300mm	30mm-300mm	30mm-300mm
回转速度 Rotate speed	600-700RPM	550RPM	500RPM	450RPM
主机动力 Host power	7.5HP	10HP	15HP	20HP
刹车装置 Brake device	气动刹车 Pneumatibrake	气动刹车Pneumatibrake	气动刹车 Pneumatibrake	气动刹车 Pneumatibrake
包带装置 Packing device	包带方向 "S" 或 "Z" 绞向可变换 Wrap direction "S" or "Z" twistable to changeable			
电气控制 Electric control	PLC 全电脑控制 PLC control			

## 悬臂式单绞成缆机 Cantilever type single twisting cabling machine



### 一、【用途 Application】:

适用于五六类数据电缆、HDMI数字电缆和电脑线等多芯电线电缆集成缆，可以同步进行包带（恒张力主动纵包）或被动侧放包带（拖包）。

It is suitable for assembling and cabling multi-core wire and cable such as Category 5-6 data cable, HDMI digital cable and computer cable. It can be used for simultaneous wrapping (constant tension active vertical package) or passive side loading package (dragging).

### 二、【设备组成 Structure of Equipment】:

放线架（主动放线、被动放线、退扭主动放线）、单绞机主机、中心包带机、侧放包带、计米装置、电控系统等。

Take-off line (active line, passive line, retreat initiative line), single twist machine host, center tape machine, side of the bag, meter device, electronic control system.

### 三、【技术参数 Technique specifications】:

规格型号 Model	SF-630P	SF-800P	SF-1000P	SF-1250P
用途 Application	PE 或 PVC 被覆芯线绞合中心包带或侧放包带; 适用材料: 绵纸、麦拉带、铝箔、棉纸等 PE or PVC coated core stranded center strap or side strap; Applicable materials: tissue paper, Mylar tape, aluminum foil, cotton paper, etc.			
收线线轴 Take-up bobbin	630mmX360mm	800mmX500mm	1000mmX630mm	1250mmX800mm
放线线轴 Pay-off bobbin	400mm-500mm-630mm	400mm-500mm-630mm	400mm-500mm-630mm	400mm-500mm-630mm
放线型式 Pay-off type	主动放线、退扭主动放线 Take the initiative to pay off, take the initiative to pay back			
适用线径 Core diameter	0.5mm-3.0mm	0.5mm-5.0mm	0.5mm-5.0mm	0.5mm-5.0mm
最大绞合外径 Stranded outer diameter	MAX15mm	MAX20mm	MAX25mm	MAX30mm
绞距 Lay length	10mm-150mm	20mm-300mm	30mm-300mm	30mm-300mm
回转速度 Rotate speed	1000RPM	800RPM	600RPM	550RPM
主机动力 Host power	10HP	15HP	20HP	25HP
刹车装置 Brake device	气动刹车 Pneumaticbrake	气动刹车 Pneumatic brake	气动刹车 Pneumaticbrake	气动刹车 Pneumaticbrake
包带装置 Packing device	包带方向“S”或“Z”绞向可变换 Wrap direction "S" or "Z" twistable to changeable			
电气控制 Electric control	PLC 全电脑控制 PLC control			

## 卧式悬臂单绞机 Horizontal cantilever single twister machine

### 一、【用途 Application】:

适用于HDMI、DP、USB3.0/3.1等高频线、数据线、电子线芯线对绞及多股绞合及同步包带。

Suitable for HDMI, DP, USB3.0/3.1 and other high-frequency lines, data lines, electronic wire core twisted and multi-strand twisted and synchronous tape.

### 二、【设备组成 Structure of Equipment】:

2+1头主动放线+包带头(双头)+500型卧式悬臂单绞机 2+1 head active line + bag lead (double head) + 500 horizontal cantilever single twister

### 三、【技术特点 Technique Feature】:

高灵敏度的主动放线，数显张力控制器稳定可调，高转速，生产效率是立式的2倍，包带及收线张力从空盘到满盘保持恒张力，机械绞距，加减速及正常工作时绞距恒定，收线排位采用轴排式结构，排幅排距任意设定，可同步完成包带，制作HDMI、DP等高频线材，合格率100%。

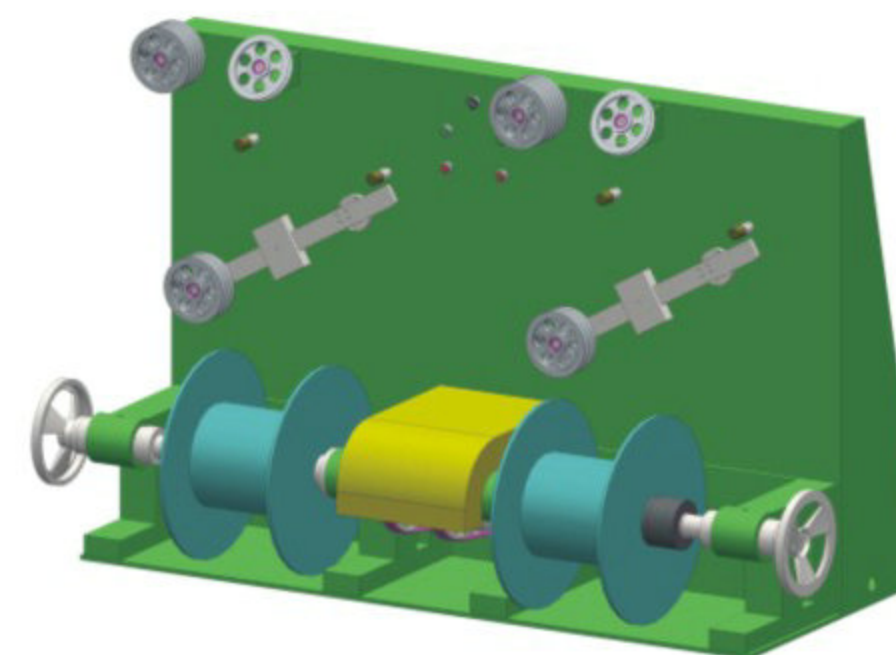
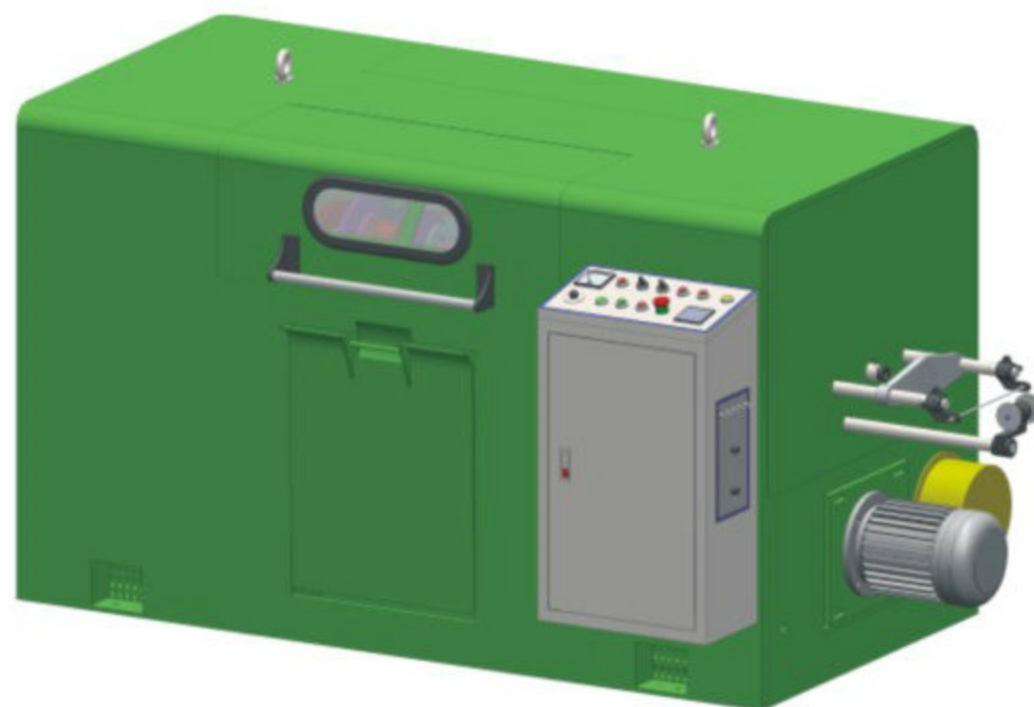
High-sensitivity active pay-off, digital tension controller is stable and adjustable, high speed, production efficiency is 2 times that of vertical type, the tension of the bag and take-up line is kept constant from the empty plate to the full plate, mechanical lay, acceleration and deceleration When working normally, the twisting distance is constant, and the line-up position of the winding line adopts a row-row structure. The row-row distance can be arbitrarily set, and the banding can be completed synchronously. High-frequency wires such as HDMI and DP can be produced with a pass rate of 100%.

### 四、【技术参数 Technique specifications】:

规格型号 Model	SF-500P or SF-400P
用途 Application	HDMI、DP、USB、CAT-7等高频线、数据线、电子线芯线对绞及多股绞合 HDMI,DP,USB,CAT-7 and other high frequency lines,data lines,electronic wire core twisted and stranded
适用线径 Core diameter	AWG20-AWG32
最大绞合外径 Stranded outer diameter	4.0mm
绞距范围绞距 Lay length	15-60mm
回转速度 Rotate speed	1000r/min
放线线轴 Pay-off bobbin	400-500P
收线线轴 Take-up bobbin	400-500P
放线动力 Pay-off power	1/2HP AC 齿轮电机, 附变频调速 1/2HPAC Gear Motor with Frequency Control
收线动力 Take-up power	380V,50HZ,5HP AC 电机, 附变频调速 380V, 50HZ, 5HP AC Motor with Frequency Control
放线张力控制 Pay-off Tension control	直线滑轨+滑块重锤式,机械杠杆+滑块移动式,配在线张力检测显示 Linear slide+slider weight,mechanical mast+slider movement,with online tension detection display
收线张力控制 Take-up Tension control	电磁张力,自动追踪,收线张力从满盘到空盘保持恒定,不须人工调整 Electromagnetic tension,automatic tracking,take-up tension from full plate to empty plate,no manual adjustment
包带张力控制 Winding tension control	恒张力电磁刹车轮,自动张力追踪仪,包带张力从满盘到空盘保持恒定,不须人工调整 Constant tension electromagnetic brake wheel,automatic tension tracker,constant tension of the wrapping tape from full plate to empty plate,no manual adjustment
排线装置 Cable device	轴排式收线,线材排位过程中无推/拉力损伤,排幅排距根据线材规格任意设定 Shaft-row take-up, there is no push/pull damage in the process of wire positioning, and the row spacing is arbitrarily set according to wire specifications



高速对绞机  
High speed pair twisting machine



一、【用途 Application】:

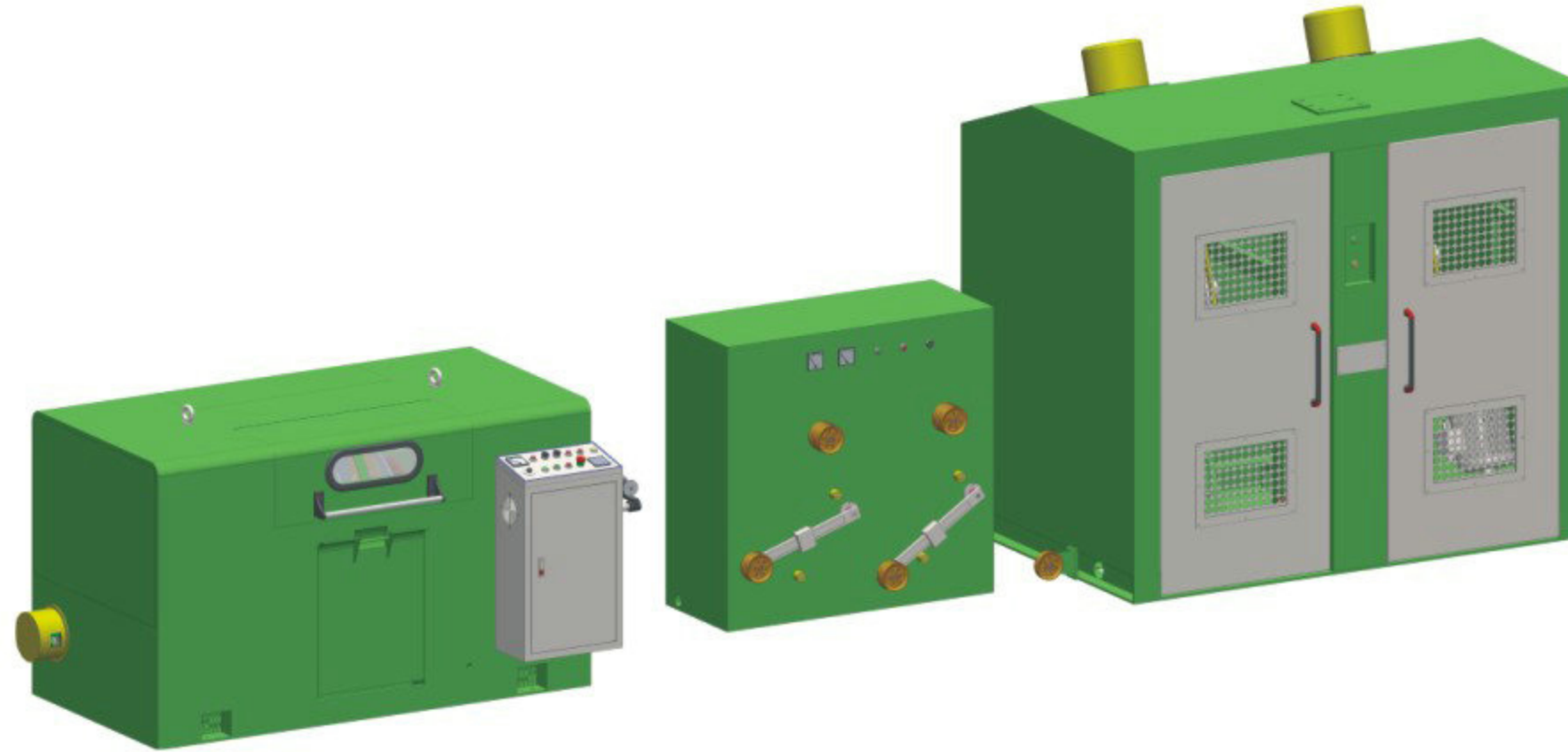
本机适合5类、6类网线对绞，电话线对绞，其它线缆的两芯对绞。放线装置采用变频调速主动张力放线。

This machine is suitable for twisting of Category 5 and Category 6 cables, twisting of telephone lines, twisting of two cables. The take-off device adopts variable frequency speed regulation and active tension release.

二、【技术参数 Technique specifications】:

规格型号 Model	SF-500 双轴主动放线机 Biaxial active wire machine	SF-500P 对绞机 Twister	SF-630P 对绞机 Twister
收线线轴 Take-up bobbin	Φ500mm * 300mm * Φ56mm	Φ500mm * 300mm * Φ56mm	Φ630mm * 375mm * Φ56mm
收线张力控制 Take-up Tension control	张力摆杆 Tension pendulum	磁粉张力 Magnetic powder tension	磁粉张力 Magnetic powder tension
适用线径 wire diameter	Max 2.5mm	Max 2.0mm	Max 2.5mm
最大绞合外径 Stranded outer diameter	—	Max 4.0mm	Max 5.0mm
绞距 Lay length	—	30-150mm(变换齿轮 Change gear)	10-25mm(变换齿轮 Change gear)
回转速度 Rotate speed	—	Max 2200RPM	Max 1800RPM
排线装置 Cable device	—	轴承式排线，排距、排幅可调 Bearing type cable, row spacing, adjustable	
主机动力 Host power	1HP	7.5HP	10HP
线盘升降 Reel lift	—	液压升降 Hydraulic lifting	液压升降 Hydraulic lifting
刹车装置 Brake device	内外部断线电磁式刹车制动 Internal and external disconnection electromagnetic brake		

## 立式双盘退扭对绞机 Vertical dual bobbin back-twist pair twisting machine



### 一、【用途 Application】:

适用于各类高频数据通讯缆绝缘芯线对绞退扭放线，是生产Cat5e、6、7类数据电缆的必备设备。本机通常用于与SF-500P 或SF-630组配退扭绞对机组。Suitable for all kinds of high-frequency data communication cable insulation core twisted and retracted on the release line, is the production of Cat5e, 6,7 data cable equipment. This machine is usually used in combination with SF-500P or SF-630 for unwinding of the unit.

### 二、【设备组成 Structure of Equipment】:

双盘退扭放线机构，放线张力检测架，线盘升降机构，电控箱等。Dual-disc retractive release mechanism, release tension detection frame, reel lifting mechanism, electric control box, etc.

### 三、【技术参数 Technique specifications】:

规格型号 Model	SF-500P 退扭机 Back twister	SF-500P 对绞机 Twister
线轴 bobbin	Φ500mm * 300mm * Φ56mm	Φ500mm * 300mm * Φ56mm
收线张力控制 Take-up Tension control	储线架式张力感应架 Storage rack tension induction rack	磁粉张力 Magnetic powder tension
适用线径 Core diameter	Max2.0mm	Max 2.0mm
最大绞合外径 Stranded outer diameter	Max4.0mm	Max 4.0mm
绞距 Lay length	Max 50%退扭率无级可调 Twist rate is infinitely adjustable	10-25mm(变换齿轮 Change gear)
回转速度 Rotate speed	Max 1000RPM	Max 2200RPM
线速 Line speed	Max 120m/min	Max 120m/min
排线装置 Cable device	轴承式排线，排距、排幅可调 Bearing type cable,row spacing,adjustable	
主机动力 Host power	AC 3.75KW+0.75KW	AC3.7KW
线盘升降 Reel lift	1HP 减速电动升降 Deceleration electric lift	液压升降 Hydraulic lifting
刹车装置 Brake device	内外部断线电磁式刹车制动 Internal and external disconnection electromagnetic brake	



## 极细线全自动高速绕包机 Very thin wire automatic high-speed wrapping machine

### 一、【用途 Application】:

本机为立式单层或双层绕包机，将包带(铜箔带、麦拉带、铝箔带)通过转盘旋转，绕包在芯线上,具有单个或两个、绕包头。主要用于高频数据线、极细同轴线、极细音频线等其它特殊极细线的绝缘芯线绕包与烧结。

The machine is a vertical single-layer or double-layer wrapper. The wrapper (copper foil tape, Mylar tape, aluminum foil tape) is rotated through the turntable and wrapped around the core wire. It has single or double wraparound wrappings. It is mainly used for the wrapping and sintering of insulated core wire of other special ultra-fine wires such as high-frequency data lines, ultra-fine coaxial cables, and polar audio cables.

### 二、【技术特点 Technique Feature】:

1. 包带张力自动演算追踪,从满盘到空盘保持恒张力,不须人工调整
2. 触摸屏设定重叠率,PLC控制,加减速及正常工作时包带形成点稳定不动
3. 收线排位采用轴排式结构,排幅排距任意设定
1. Automatic tracking of tape tension, constant tension from full plate to empty plate, no manual adjustment
2. Touch screen setting overlap rate, PLC control, acceleration and deceleration, and stable formation of bag straps during normal operation
3. Line take-up position adopts shaft row structure, row spacing can be set arbitrarily

### 三、【技术参数 Technique specifications】:

规格型号 Model	SF-300/400极细线全自动高速绕包机 SF-300/400 ultra-thin automatic high-speed winding machine
适用线径 wire diameter	Φ0.5mm-Φ2.0mm
绕包头种类 Taping head type	一个或两个同心式绕包 One or two concentric wrappings
带盘规格 tape specifications	外径100-130mm的轴装式绕包带 Outer diameter Φ100-130mm shaft-mounted wrapping tape
包带张力 Bag tension	进口磁滞张力自动调节 Imported hysteresis tension automatic adjustment
放线盘 Pay-off bobbin	Φ300-400mm主动放线 Φ300-400mm take the initiative to pay off
收线盘 Take-up bobbin	Φ300-400mm 轴排式收线 Φ300-400mm shaft line type
引取轮径 Wheel diameter	Φ160mm 单轮皮带式引取 Φ160mm Single Wheel Belt Pickup
绕包功率 Packing power	1KW 伺服电机控制 1KW servo motor control
引取功率 Power draw	400W 伺服电机控制 400W servo motor control
包带转速 Belt speed	3000 rpm/min
烤箱温度 Oven temperature	最高400度,可伸缩移动 Up to 400 °C,scalable
收线装置 Take-up device	750W 伺服电机控制收线 750W servo motor control line
电气控制 Electric control	PLC 全电脑控制 PLC control



## 单层高速绕包机 Single-layer high speed wrapping machine

### 一、【用途 Application】：

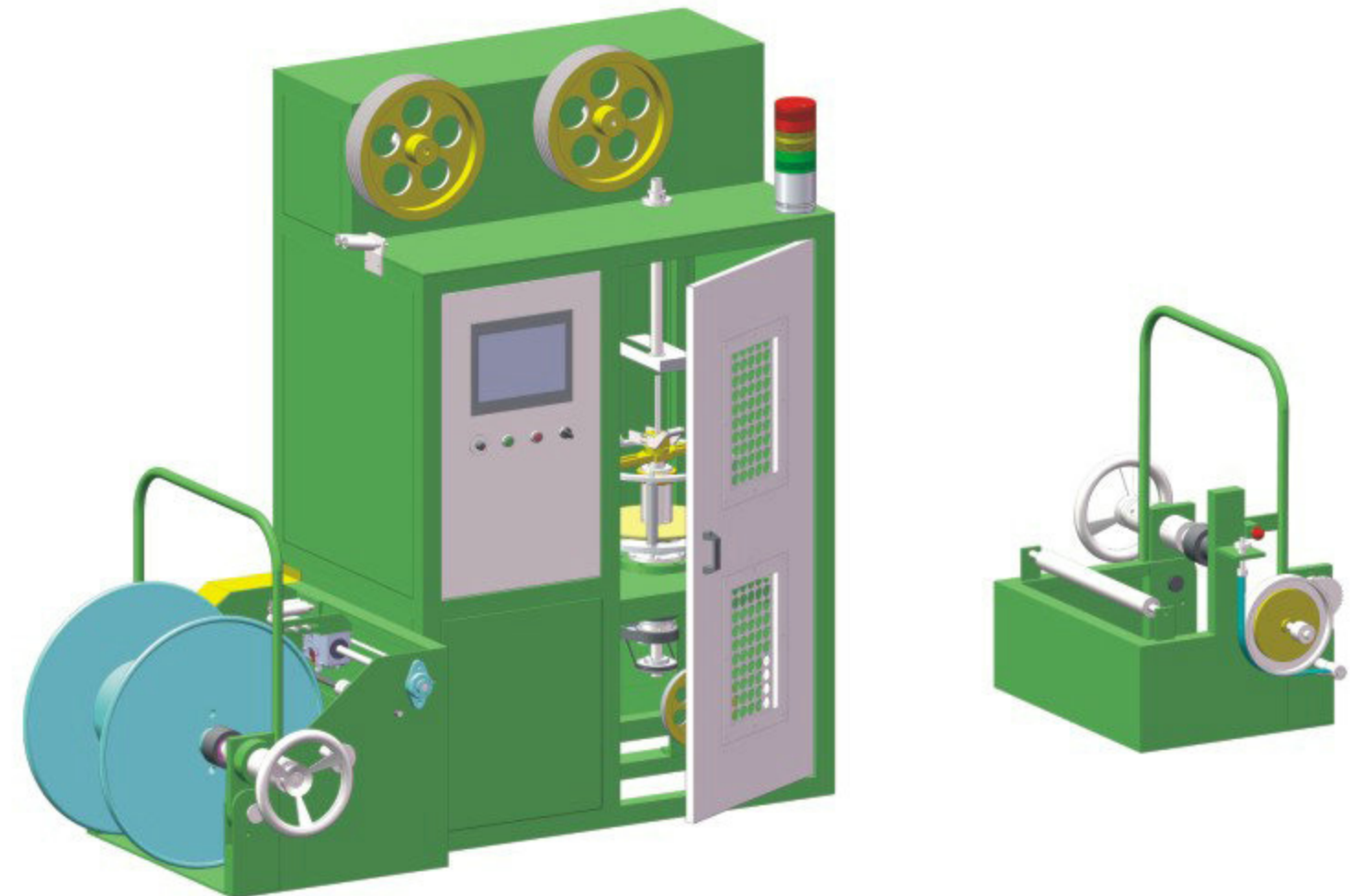
本机为立式单层绕包机，将包带(云母带、棉纸带、铝箔、聚酯薄膜等)通过转盘旋转，绕包在芯线上,具有单个绕包头。主要用于电线、力缆、控缆、光缆等的绝缘芯线绕包。  
The machine is a vertical single-layer paper wrapping machine. The wrapping tape (mica tape, cotton tape, aluminum foil, polyester film, etc.) is rotated through the turntable and wrapped around the core wire. One, three wrapping headers. Mainly used for insulation core wirewrapping of electric wires, force cables, control cables, and optical cables.

### 二、【技术特点 Technique Feature】：

1. 绕包材料可用于塔盘式包带，换带不停机。
2. 包带张力自动演算追踪,从满盘到空盘保持恒张力,不须人工调整
3. 触摸屏设定重叠率,PLC控制，加减速及正常工作时包带形成点稳定不动
4. 收线张力采用磁粉张力收线，从满盘到空盘保持恒张力,不须人工调整
1. The wrapping material can be used for tray packing, and the belt change is not stopped.
2. Automatic tracking of tape tension, constant tension from full plate to empty plate, no manual adjustment
3. Touch screen setting overlap rate, PLC control, acceleration and deceleration, and stable formation of bag straps during normal operation
4. The tension of the take-up line adopts the tension of the magnetic powder and keeps the constant tension from the full plate to the empty plate without manual adjustment.

### 三、【技术参数 Technique specifications】：

规格型号 Model	SF-630/800 单层 Single layer wrapping
适用线径 wire diameter	Φ0.6mm-Φ15mm
绕包头种类 Taping head type	一个同心式绕包Single concentric wrapping
带盘规格 tape specifications	OD:Φ250-350mm ; ID:Φ52-76mm (包带可用轴装塔盘式Belts available with shaft mounted tray )
包带张力 Bag tension	磁粉张力Magnetic powder tension
放线盘 Pay-off bobbin	Φ630-800mm
收线盘 Take-up bobbin	Φ630-800mm
引取轮径 Wheel diameter	Φ320mm
绕包功率 Packing power	1.5KW*1SET
引取功率 Power draw	1.5KW减速电机 Gear motor
包带转速 Belt speed	1500-3000 rpm/min
收线装置 Take-up device	磁粉张力 收线 Magnetic powder tension
电气控制 Electric control	PLC 全电脑控制 PLC control



## 双层高速绕包机 Double-layer high speed wrapping machine

### 一、【用途 Application】:

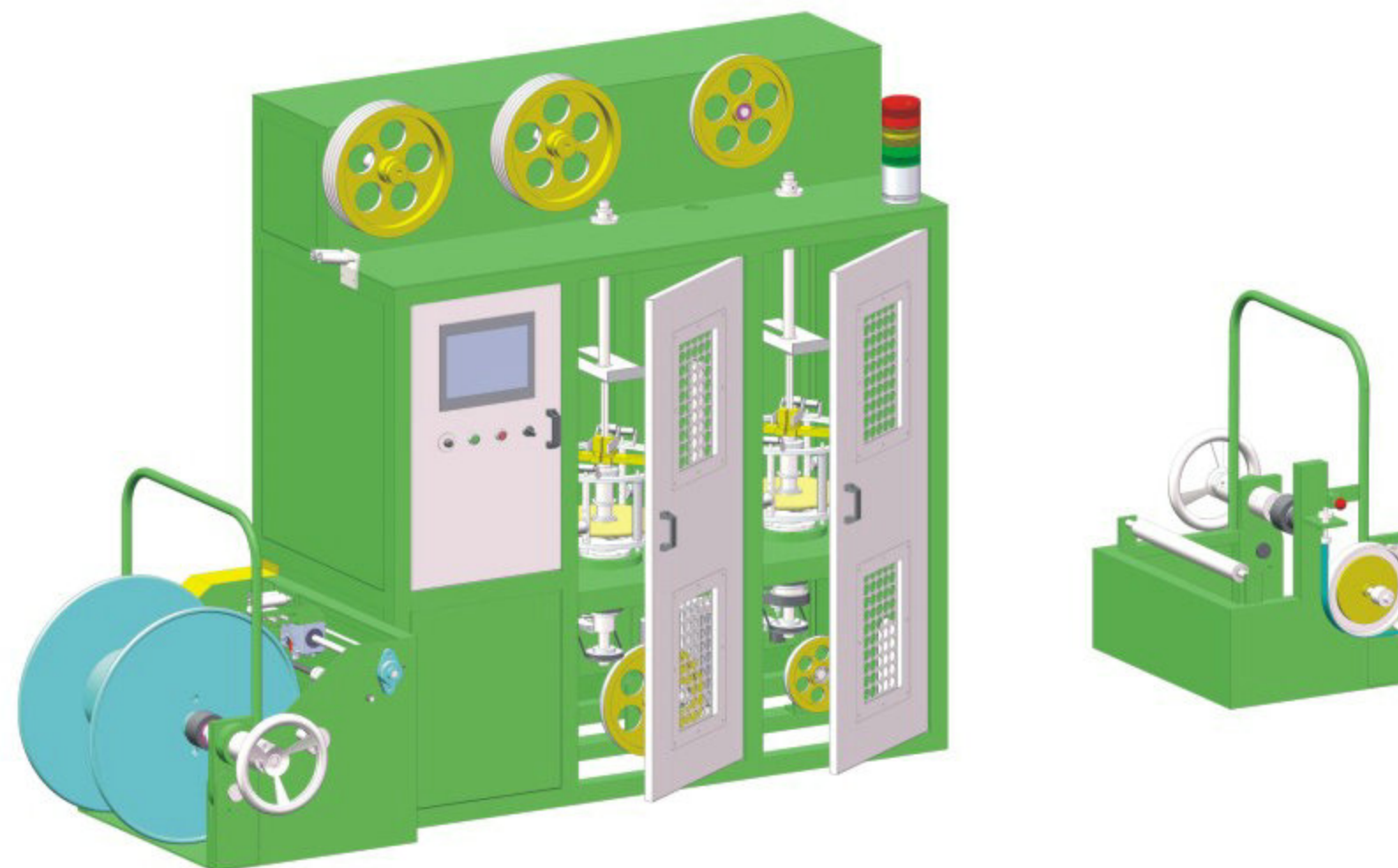
本机为立式双层绕包机，将包带(云母带、棉纸带、铝箔、聚酯薄膜等)通过转盘旋转，绕包在芯线上，具有二个绕包头。主要用于电线、力缆、控缆、光缆等的绝缘芯线绕包。  
This machine is a vertical double-layer wrapping machine. The belt (mica tape, cotton paper tape, aluminum foil, polyester film, etc.) is rotated by a turntable and wrapped around the core wire, and has two wrapping heads. Mainly used for insulated core wire wrapping of wires, power cables, control cables, optical cables, etc.

### 二、【技术特点 Technique Feature】:

1. 绕包材料可用于塔盘式包带，换带不停机。
2. 包带张力自动演算追踪,从满盘到空盘保持恒张力,不须人工调整
3. 触摸屏设定重叠率,PLC控制，加减速及正常工作时包带形成点稳定不动
4. 收线张力采用磁粉张力收线，从满盘到空盘保持恒张力,不须人工调整
1. The wrapping material can be used for tray packing, and the belt change is not stopped.
2. Automatic tracking of tape tension, constant tension from full plate to empty plate, no manual adjustment
3. Touch screen setting overlap rate, PLC control, acceleration and deceleration, and stable formation of bag straps during normal operation
4. The tension of the take-up line adopts the tension of the magnetic powder and keeps the constant tension from the full plate to the empty plate without manual adjustment.

### 三、【技术参数 Technique specifications】:

规格型号 Model	SF-630/800 Double layer wrapping
适用线径 wire diameter	Φ0.6mm-Φ15mm
绕包头种类 Taping head type	三个同心式绕包 Three concentric wrapping
带盘规格 tape specifications	OD:Φ250-350mm ; ID:Φ52-76mm (包带可用轴装塔盘式Belts available with shaft mounted tray)
包带张力 Bag tension	磁粉张力 Magnetic powder tension
放线盘 Pay-off bobbin	Φ630-800mm
收线盘 Take-up bobbin	Φ630-800mm
引取轮径 Wheel diameter	Φ320mm
绕包功率 Packing power	1.5KW*2SET
引取功率 Power draw	1.5KW减速电机Gear motor
包带转速 Belt speed	1500-3000 rpm/min
收线装置 Take-up device	磁粉张力 收线 Magnetic powder tension
电气控制 Electric control	PLC全电脑控制 PLC control



## 三层高速绕包机 Three-layer high-speed wrapping machine

### 一、【用途 Application】:

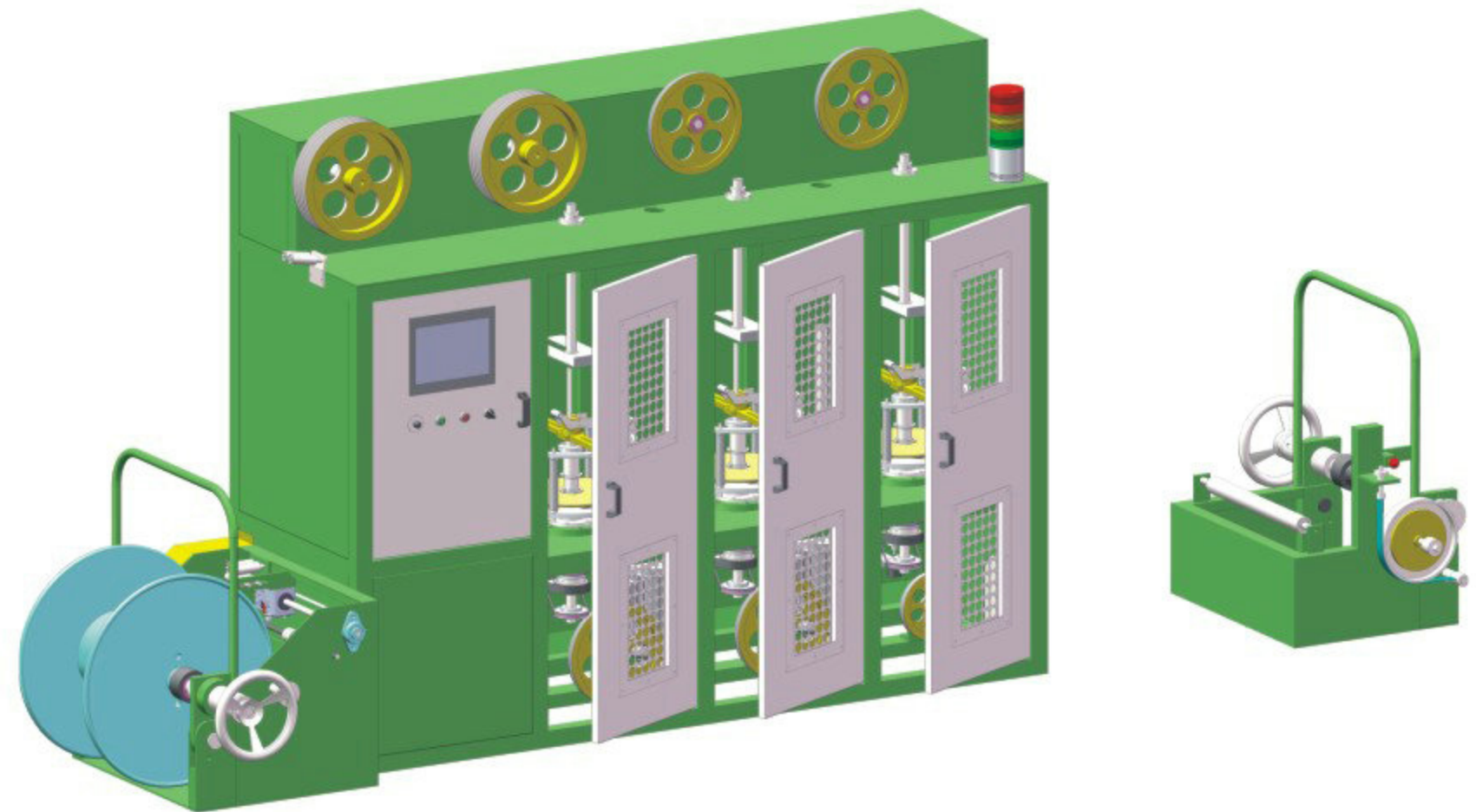
本机为立式三层绕包机，将包带(云母带、棉纸带、铝箔、聚酯薄膜等)通过转盘旋转，绕包在芯线上,具有三个绕包头。主要用于电线、力缆、控缆、光缆等的绝缘芯线绕包。  
This machine is a vertical three-layer wrapping machine. The belt (mica tape, cotton paper tape, aluminum foil, polyester film, etc.) is rotated through the turntable and wrapped around the core wire, and has three wrapping heads. Mainly used for insulated core wirewrapping of wires, power cables, control cables, optical cables, etc.

### 二、【技术特点 Technique Feature】:

1. 绕包材料可用于塔盘式包带，换带不停机。
  2. 包带张力自动演算追踪,从满盘到空盘保持恒张力,不须人工调整
  3. 触摸屏设定重叠率,PLC控制，加减速及正常工作时包带形成点稳定不动
  4. 收线张力采用磁粉张力收线，从满盘到空盘保持恒张力,不须人工调整
1. The wrapping material can be used for tray packing, and the belt change is not stopped.
  2. Automatic tracking of tape tension, constant tension from full plate to empty plate, no manual adjustment
  3. Touch screen setting overlap rate, PLC control, acceleration and deceleration, and stable formation of bag straps during normal operation
  4. The tension of the take-up line adopts the tension of the magnetic powder and keeps the constant tension from the full plate to the empty plate without manual adjustment.

### 三、【技术参数 Technique specifications】:

规格型号 Model	SF-630/800 Three layer wrapping
适用线径 wire diameter	Φ0.6mm-Φ15mm
绕包头种类 Taping head type	三个同心式绕包 Three concentric wrapping
带盘规格 tape specifications	OD:Φ250-350mm ; ID:Φ52-76mm (包带可用轴装塔盘式 Belts available with shaft mounted tray )
包带张力 Bag tension	磁粉张力 Magnetic powder tension
放线盘 Pay-off bobbin	Φ630-800mm
收线盘 Take-up bobbin	Φ630-800mm
引取轮径 Wheel diameter	Φ320mm
绕包功率 Packing power	1.5KW*3SET
引取功率 Power draw	1.5KW减速电机 Gear motor
包带转速 Belt speed	1500-3000 rpm/min
收线装置 Take-up device	磁粉张力收线 Magnetic powder tension
电气控制 Electric control	PLC 全电脑控制 PLC control



## 四氟薄膜绕包烧结机 PTFE film wrapping sintering machine

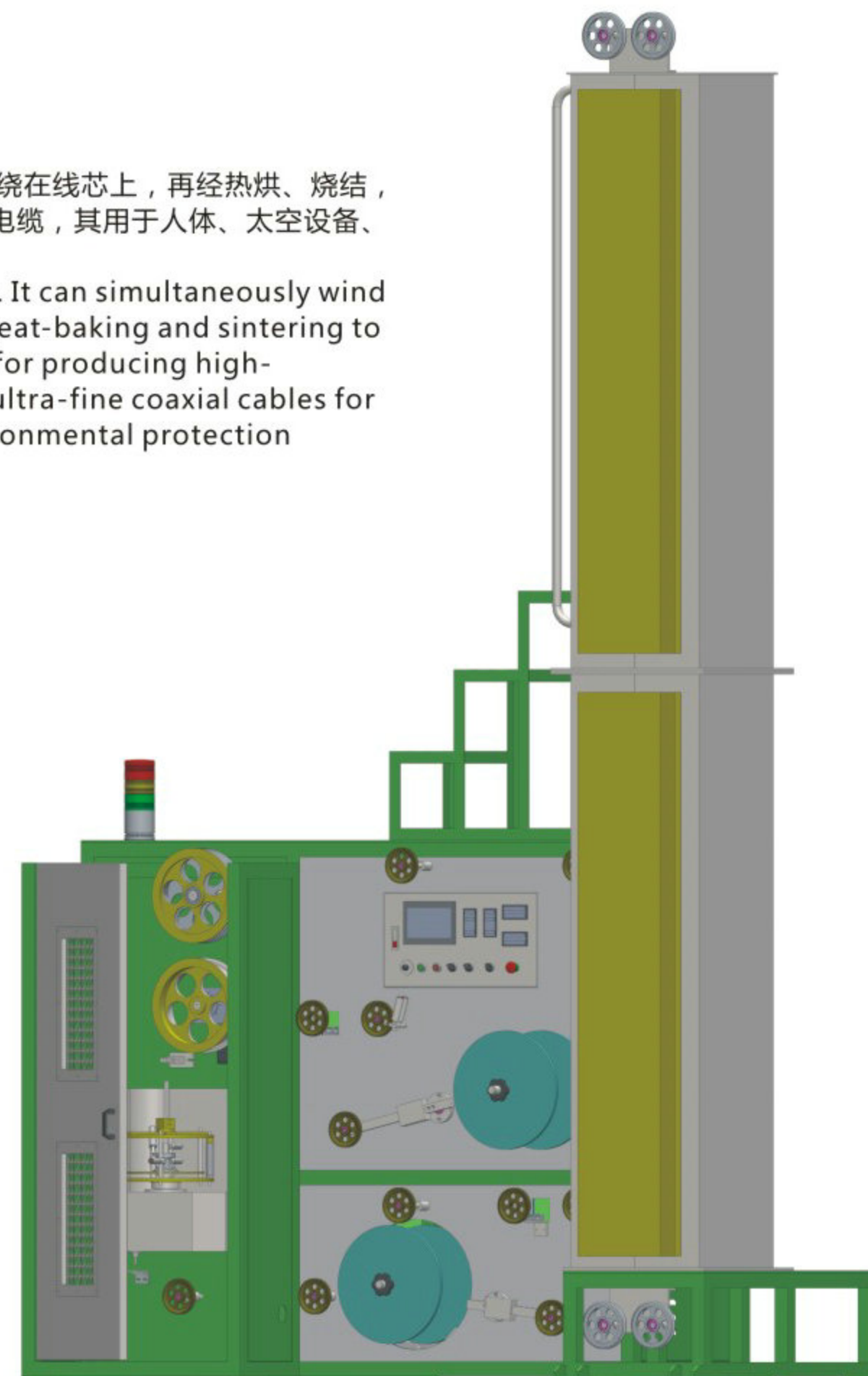
### 一、【设备用途 Application】:

本机是立式单层或双层热烘绕包机，可同时将两层四氟薄膜带（PTFE薄膜带），按设定节距缠绕在线芯上，再经热烘、烧结，使绕包带与线芯固化。是生产高性能通讯、控制电缆的专用设备之一。用于加工精密极细同轴电缆，其用于人体、太空设备、高科技手机、水处理环保设备等。

This machine is a vertical single-layer or double-layer hot-drying wrapping machine. It can simultaneously wind two layers of PTFE film tape (PTFE film tape) on the wire core at a set pitch, and then heat-baking and sintering to make the package. The belt is cured with the core. It is one of the special equipment for producing high-performance communication and control cables. It is used to process precision and ultra-fine coaxial cables for human body, space equipment, high-tech mobile phones, water treatment and environmental protection equipment.

### 二、【技术参数 Technique specifications】:

规格型号 Model	SF-400 立式双层绕包机 SF-400 Vertical double head double wrapping machine
线种 type	极细同轴电缆 Very thin coaxial cable
绕包节距 Wrapper pitch	1-15mm
最高线速 Highest line speed	20m/min
适用线径 Applicable wire diameter	Φ0.426-1.5mm
包带包装尺寸 Packing size	轴装式 (外径×外宽×孔径) Φ130×110×Φ20mm
绕包材料 Packing material	FA薄膜带, PTFE 绕包带, 氟塑料薄膜带; FA film tape, PTFE wrapping tape, fluoroplastic film tape;
包盘转速 Package rotation speed	≤1500rpm
旋转方向 turn around	S/Z换向可以任意选择 S/Zcommutation can be arbitrarily selected
电加热器 Electric heaters	辐射式加热, 加热区长度 6000mm Radiant heating, heating zone length 6000mm
温控范围 Temperature control range	100°C-400°C
绕包电机 Wrapping motor	伺服电机 servo motor
牵引电机 Traction motor	伺服电机 servo motor
收放线电机 Retractable line motor	齿轮减速电机 100w Gear Reducer Motor 100w



## USB3.1立式缠绕双包机 USB3.1 cable vertical winding double-layer wrapping machine

### 一、【用途 Application】:

适用于Type-C电缆USB3.1高频数据线的芯线缠绕+双层绕包+热熔一次性完。

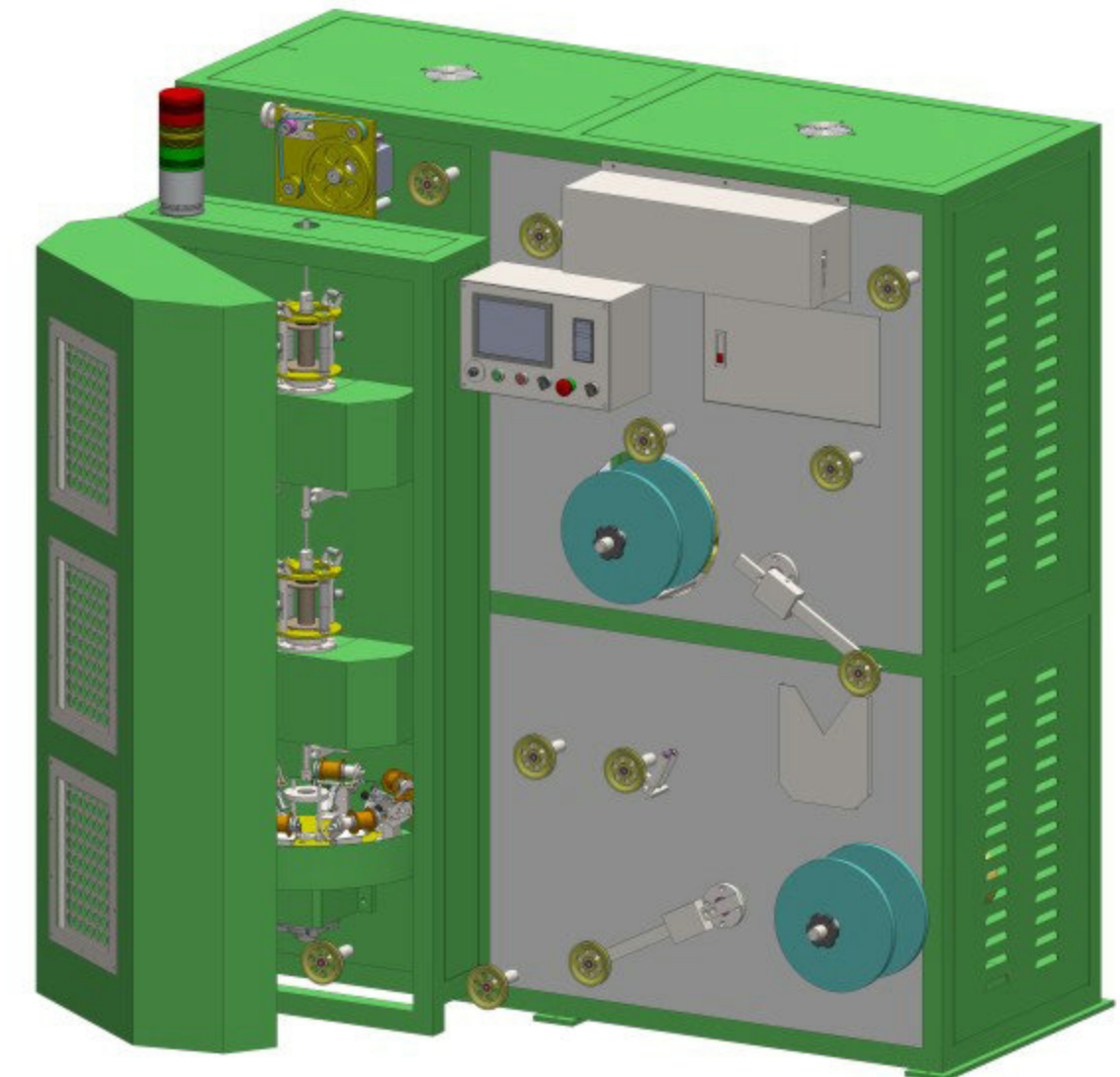
Core winding for Type-C cable USB3.1 high frequency data line + double layer wrapping + hot melt one-time finish.

### 二、【技术特点 Technique Feature】:

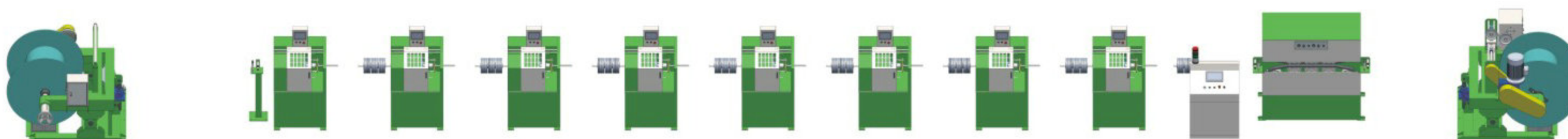
1. 极细线缠绕与高精度绕包+热熔一次完成。
  2. 包带张力自动演算追踪,从满盘到空盘保持恒张力,不须人工调整
  3. 触摸屏设定重叠率,PLC控制,加减速及正常工作时包带形成点稳定不动
  4. 收线排位采用轴排式结构,排幅排距任意设定
1. Very fine wire winding and high precision wrapping + hot melt is completed at one time.
  2. Automatic tension calculation of the belt tension, maintaining constant tension from full to empty, without manual adjustment
  3. The touch screen sets the overlap rate, PLC control, acceleration and deceleration, and the belt formation point is stable when working normally.
  4. The take-up line is arranged in a shaft row structure, and the row spacing is arbitrarily set.

### 三、【技术参数 Technique specifications】:

规格型号 Model	SF-300
用途 Application	适用于Type-C电缆 USB3.1高频数据线的芯线缠绕+双层绕包+热熔一次性完。 Core winding for Type-C cable USB3.1 high frequency data line+double layer wrapping+hot melt one-time finish.
适用线径 Applicable wire diameter	38 AWG-28AWG
绕包材料 Packing material	热熔铜箔带、热熔麦拉带 Heat sealed copper tape,Heat sealed pet tape
包带包装尺寸 Packing size	轴装式(外径×外宽×孔径) Φ130×110×Φ20mm
包盘转速 Package rotation speed	MAX2000rpm/MAX28m/min
电加热器 Electric heaters	辐射式加热,加热区长度600mm Radiant heating,heating zone length 600mm
温控范围 Temperature control range	100°C-400°C
放线型式 Pay-off type	Φ300单动力放线 Φ300 single action power release line
缠绕动力 Winding power	伺服电机 servo motor
绕包电机 Wrapping motor	伺服电机 servo motor
牵引电机 Traction motor	伺服电机+减速机 Servo motor+reducer
主机动力 Host power	伺服电机全电脑控制,包带盘与引取马达联动 The servo motor is fully computer controlled,and the strap reel is connected with the take-up motor.
包带张力 Bag tension	包带张力自动演算追踪,从满盘到空盘保持恒张力 Automatic tracking of tape tension,constant tension from full plate to empty plate
收线装置 Take-up device	轴排式收线,收线张力从满盘到空盘保持恒定Shaft-line take-up,keeping the tension constant from full plate to empty plate
电气控制 Electric control	PLC全电脑控制 PLC control



## 防火电缆卧式多层绕包机 Fireproof cable horizontal multi-layer wrapping machine



### 一、【用途 Application】:

本机为卧多层包纸机，将包带(云母带、棉纸带、铝箔、聚酯薄膜等)通过转盘旋转，绕包在芯线上,具有多个绕包头。主要用于防火电缆，矿物质绝缘电缆等的绕包。  
The machine is a horizontal multi-layer wrapping machine. The wrapping tape (mica tape, cotton tape, aluminum foil, polyester film, etc.) is rotated through the turntable and wrapped around the core wire with multiple wrapping heads. Mainly used for fireproof cables, mineral insulated cables, etc.

### 二、【技术特点 Technique Feature】:

1. 绕包材料可用于塔盘式包带，换带不停机。
  2. 包带张力自动演算追踪,从满盘到空盘保持恒张力,不须人工调整
  3. 触摸屏设定重叠率,PLC控制，加减速及正常工作时包带形成点稳定不动
  4. 收线张力采用磁粉张力收线，从满盘到空盘保持恒张力,不须人工调整
1. The wrapping material can be used for tray packing, and the belt change is not stopped.
  2. Automatic tracking of tape tension, constant tension from full plate to empty plate, no manual adjustment
  3. Touch screen setting overlap rate, PLC control, acceleration and deceleration, and stable formation of bag straps during normal operation
  4. The tension of the take-up line adopts the tension of the magnetic powder and keeps the constant tension from the full plate to the empty plate without manual adjustment.

### 三、【技术参数 Technique specifications】:

规格型号 Model	四层高速绕包机 Four Layer wrapping Machine	六层高速绕包机 Six Layer wrapping Machine	八层高速绕包机 Eight Layer wrapping Machine
适用线径 wire diameter	Φ0.6mm-Φ15mm	Φ0.6mm-Φ15mm	Φ0.6mm-Φ15mm
绕包头种类 Taping head type	四个同心式绕包 Four concentric wrapping	六个同心式绕包 Six concentric wrapping	八个同心式绕包 Eight concentric wrapping
带盘规格 tape specifications	OD:Φ250-350mm ; ID:Φ52-76mm ( 包带可用轴装塔盘式 Belts available with shaft mounted tray )		
包带张力 Bag tension	磁粉张力自动调节 Magnetic powder tension	磁粉张力自动调节 Magnetic powder tension	磁粉张力自动调节 Magnetic powder tension
放线盘 Pay-off bobbin	Φ800-1250mm	Φ800-1250mm	Φ800-1250mm
收线盘 Take-up bobbin	Φ800-1250mm	Φ800-1250mm	Φ800-1250mm
绕包功率 Packing power	1.5KW*4SET	1.5KW*6SET	1.5KW*8SET
包带转速 Belt speed	1500-3000rpm/min	1500-3000 rpm/min	1500-3000rpm/min
履带牵引 Crawler	800KG	800KG	800KG
引取功率 Power draw	5.5KW 减速电机 5.5KW Gear motor	5.5KW 减速电机 5.5KW Gear motor	5.5KW 减速电机 5.5KW Gear motor
电气控制 Electric control	四个触摸屏控制 Four touchscreen controls	六个触摸屏控制 Six touch screen controls	八个触摸屏控制 Four touch screen controls

## 小截面高速自动成圈打扎机 Small cross high speed automatic section coiling machine

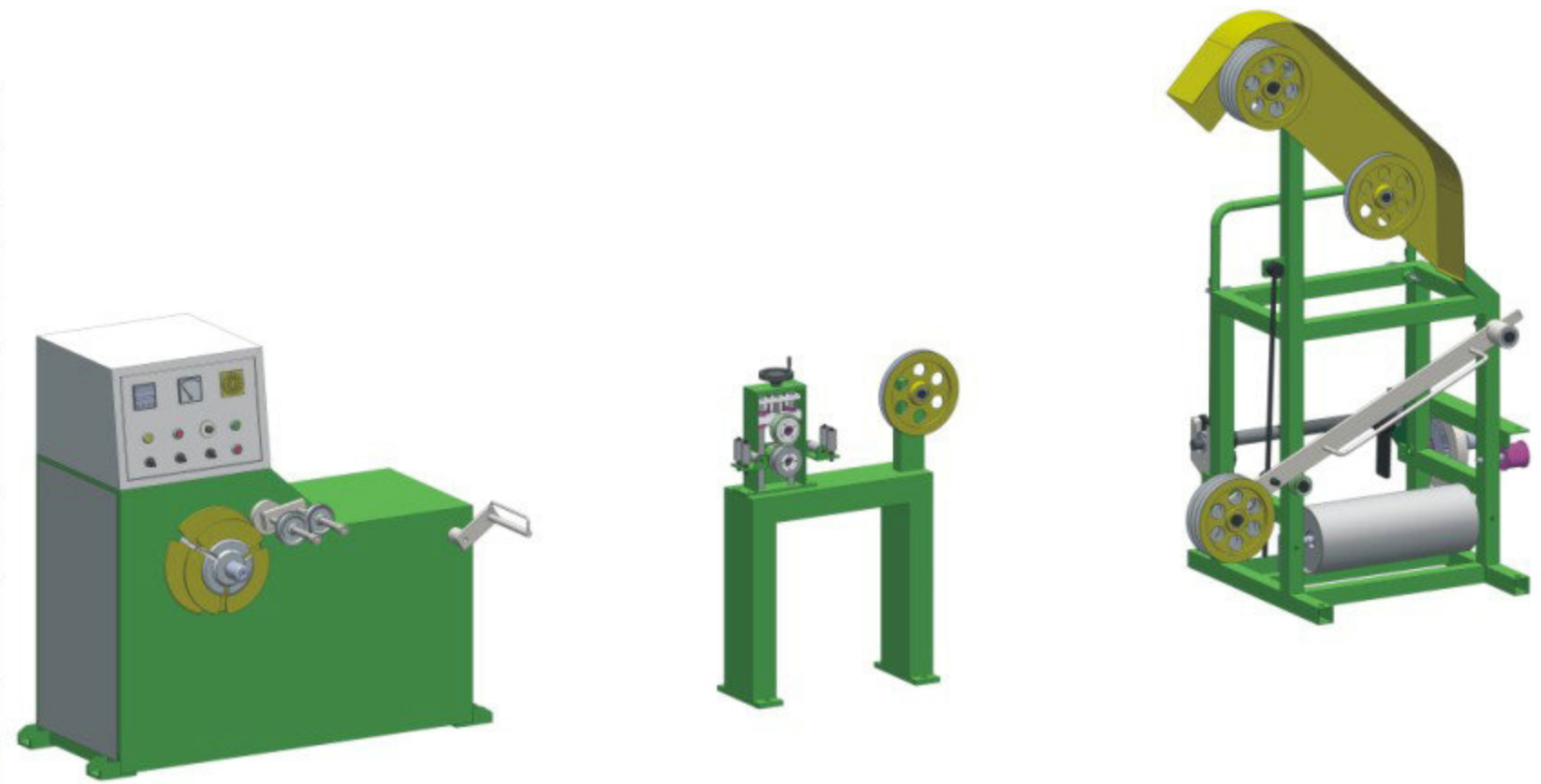
本机适用于0.3-10mm<sup>2</sup>小截面电线的成圈及打扎。该产品生产效率高、排线质量处于同类产品先进水平，与传统机型相比其主要优点如下：

- a. 采用自动排线，收线速度是传统机型的2-3倍。
- b. 采用快速打扎装置，成圈后电线在机台上捆扎后可轻松快速取下，减少劳动强度并节约劳动时间。
- c. 电线成圈、打扎、塑胶薄膜包装三个工序一人便可完成，减少劳动力成本。
- d. 排线靠线材本省张力，可保证排线节距不受线径大小的影像，使线材排线整齐，排线质量更好。

This machine is suitable for looping and tie-down of 0.3-10mm<sup>2</sup> small section wire. The product has high production efficiency and the cable quality is in the advanced level of similar products. Compared with the traditional models, its main advantages are as follows:

- a. Using automatic cable, the take-up speed is 2-3 times that of the traditional model.
- b. With the quick tie device, after the wire is bundled on the machine bed, the wire can be easily and quickly removed, which reduces labor intensity and saves labor time.
- c. The three steps of wire looping, punching and plastic film packaging can be completed by one person to reduce labor costs.
- d. Relying on the power of the cable in this province, it can ensure that the pitch of the cable is not affected by the size of the wire, so that the wire is neat, and the quality of the cable is better.

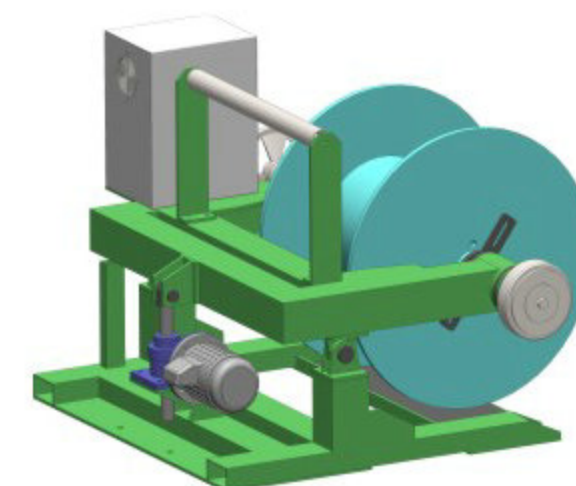
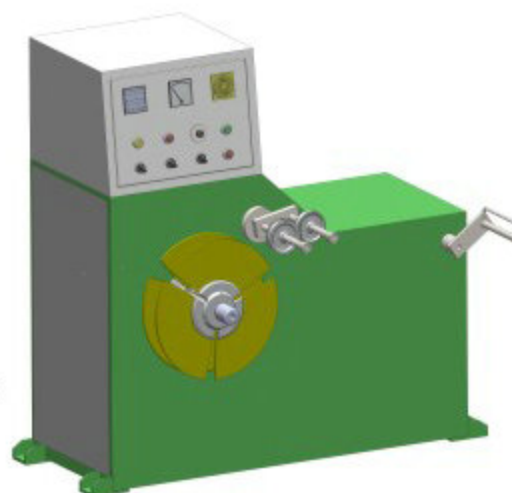
规格型号 Model	SF-630	SF-800
适用线径 wire diameter	0.3-6mm <sup>2</sup>	1.0-10mm <sup>2</sup>
放线线轴 Pay-off bobbin	≤φ630mm	≤φ630mm
放线方式 Pay-off type	有轴式或无轴式自动张力放线 Axial or non-axle automatic tension line	
排线方式 Cable way	自动排线 Automatic cable	自动排线 Automatic cable
主机转速 Main engine speed	0-500 rpm/min	0-360 rpm/min
线扎外径 Binding wire outer diameter	≤φ310mm	≤φ400mm
线扎槽数 Number of slot	3槽3 Slots	3槽3 Slots
电动机功率 Motor power	3HP(2.2kw)	5HP(3.7kw)
线扎内径 Binding wire coil inner diameter	φ120mm	φ120mm
线扎高度 Binding coil height	30-100mm	30-100mm
每班产量 Output per manshift	700扎左右(8小时)About 700 bar(8H)	400扎左右(8小时)About 400 bar(8H)





## 中截面高速自动成圈打扎机 Middle cross high speed automatic section coiling machine

本机适用于10-70mm<sup>2</sup>中截面电线或线径小于20mm以下的圆形护套线的成圈及打扎。该产品生产效率高、排线质量处于同类产品先进水平，设备的主要组成部份与技术特点如下：  
This machine is suitable for looping and punching of 10-70mm<sup>2</sup> middle section wire or round sheath wire with diameter less than 20mm. The product has high production efficiency and the cable quality is in the advanced level of similar products. The main components and technical features of the equipment are as follows:



### A. SF-1250无轴式放线架

1. 适用线盘:  $\Phi 800-1250\text{mm}$ ;
2. 适用线缆: 10-70mm<sup>2</sup>或线径小于20mm;
3. 放线速度: 0-150m/min;
4. 最大载重: 3T;
5. 开合方式: 手动开合;
6. 升降方式: 油压升降, 两侧顶轴旋臂上下盘;
7. 刹车方式: 磁粉张力刹车;

### B. 欧式高精度计米器

1. 计米形式: 四轮履带式;
2. 最大线速: 500m/min;
3. 线径范围: 2-40mm;
4. 测量精度: 0.1% (千分之一);
5. 松紧方式: 手动气压;
6. 感应方式: 旋转编码器;

### C. 中面截成圈打扎机

1. 排线方式: 自动排线;
2. 主机转速: 200转/min;
3. 扎线外径:  $\leq 650\text{mm}$ ;
4. 扎线槽数: 3槽;
5. 电机功率: 5HP (3.7KW) 变频控制;
6. 扎线内径:  $\Phi 200\text{mm}$  (可按客户要求);
7. 适用线缆: 10-70mm<sup>2</sup>或线径小于20mm;

### A. SF-1250 Shaftless Cable Reel

1. Applicable coil:  $\Phi 800-1250\text{mm}$ ;
2. Applicable cable: 10-70mm<sup>2</sup> or wire diameter less than 20mm;
3. Release speed: 0-150m/min;
4. Maximum load: 3T;
5. Opening and closing methods: Manual opening and closing;
6. Lifting mode: Hydraulic pressure rise and fall, top and bottom axis arms on the two sides;
7. Brake mode: magnetic powder tension brake;

### B. European high precision meter

1. Meter meter form: four-wheeled track type;
2. The maximum line speed: 500m/min;
3. Wire diameter range: 2-40mm;
4. Measurement accuracy: 0.1% (one thousandth);
5. Elastic mode: Manual pressure;
6. Induction mode: Rotary encoder;

### C. Cut in circle in the middle

1. Cable way: automatic cable;
2. Main engine speed: 200 revolutions/min;
3. Cable OD:  $\leq 650\text{mm}$ ;
4. Number of cable ties: 3 slots;
5. Motor power: 5HP (3.7KW) frequency control;
6. Cable diameter:  $\Phi 200\text{mm}$  (according to customer requirements);
7. Applicable cable: 10-70mm<sup>2</sup> or wire diameter less than 20mm;

## 大截面高速自动成圈打扎机 Big cross high speed automatic section coiling machine

本机适用于50-240mm<sup>2</sup>中截面电线或线径小于30mm以下的圆形护套线的成圈及打扎。该产品生产效率高、排线质量处于同类产品先进水平，设备的主要组成部份与技术特点如下：

This machine is suitable for looping and punching of 50-240mm<sup>2</sup> middle section wire or round sheath wire with diameter less than 30mm. The product has high production efficiency and the cable quality is in the advanced level of similar products. The main components and technical features of the equipment are as follows:

### A. SF-1600无轴式放线架

1. 适用线盘:  $\Phi 1000-1600\text{mm}$ ;
2. 适用线缆: 50-240mm<sup>2</sup>或线径小于30mm;
3. 放线速度: 0-100m/min;
4. 最大载重: 5T;
5. 开合方式: 手动开合;
6. 升降方式: 电机升降, 两侧顶轴旋臂上下盘;
7. 刹车方式: 磁粉张力刹车;

### B. 欧式高精度计米器

1. 计米形式: 四轮履带式;
2. 最大线速: 500m/min;
3. 线径范围: 2-40mm;
4. 测量精度: 0.1%(千分之一);
5. 松紧方式: 手动气压;
6. 感应方式: 旋转编码器;

### C. 中面截成圈打扎机

1. 排线方式: 自动排线;
2. 主机转速: 150转/min;
3. 扎线外径:  $\leq 800\text{mm}$ ;
4. 扎线槽数: 3槽;
5. 电机功率: 7.5HP(5.5KW)变频控制;
6. 扎线内径:  $\Phi 250-350\text{mm}$ (可按客户要求);
7. 适用线缆: 50-240mm<sup>2</sup>或线径小于30mm;

### A. SF-1600 axis-free cable

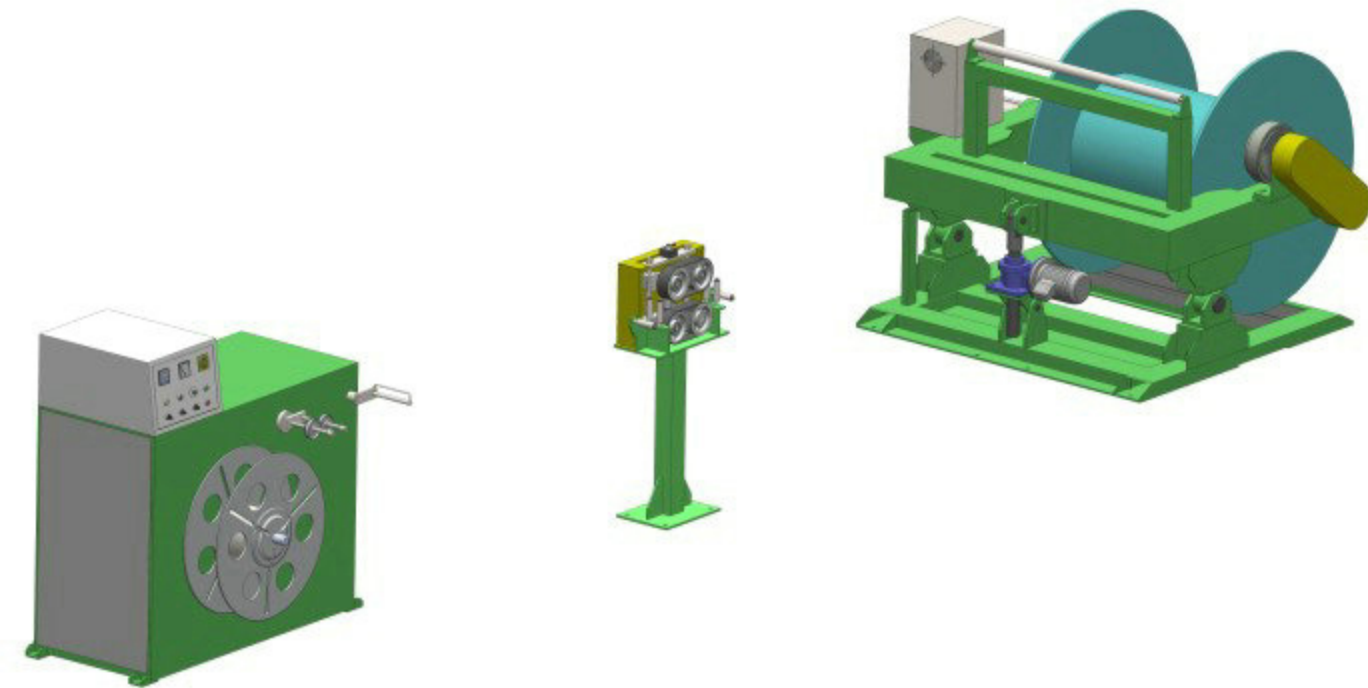
1. Applicable reel:  $\Phi 1000-1600\text{mm}$ ;
2. Applicable cable: 50-240mm<sup>2</sup> or wire diameter less than 30mm;
3. Release speed: 0-100m/min;
4. Maximum load: 5T;
5. Opening and closing methods: Manual opening and closing;
6. Lifting mode: The motor moves up and down, and the top and bottom axes of the rotary arms are arranged on the two sides;
7. Brake mode: magnetic powder tension brake;

### B. European high precision meter

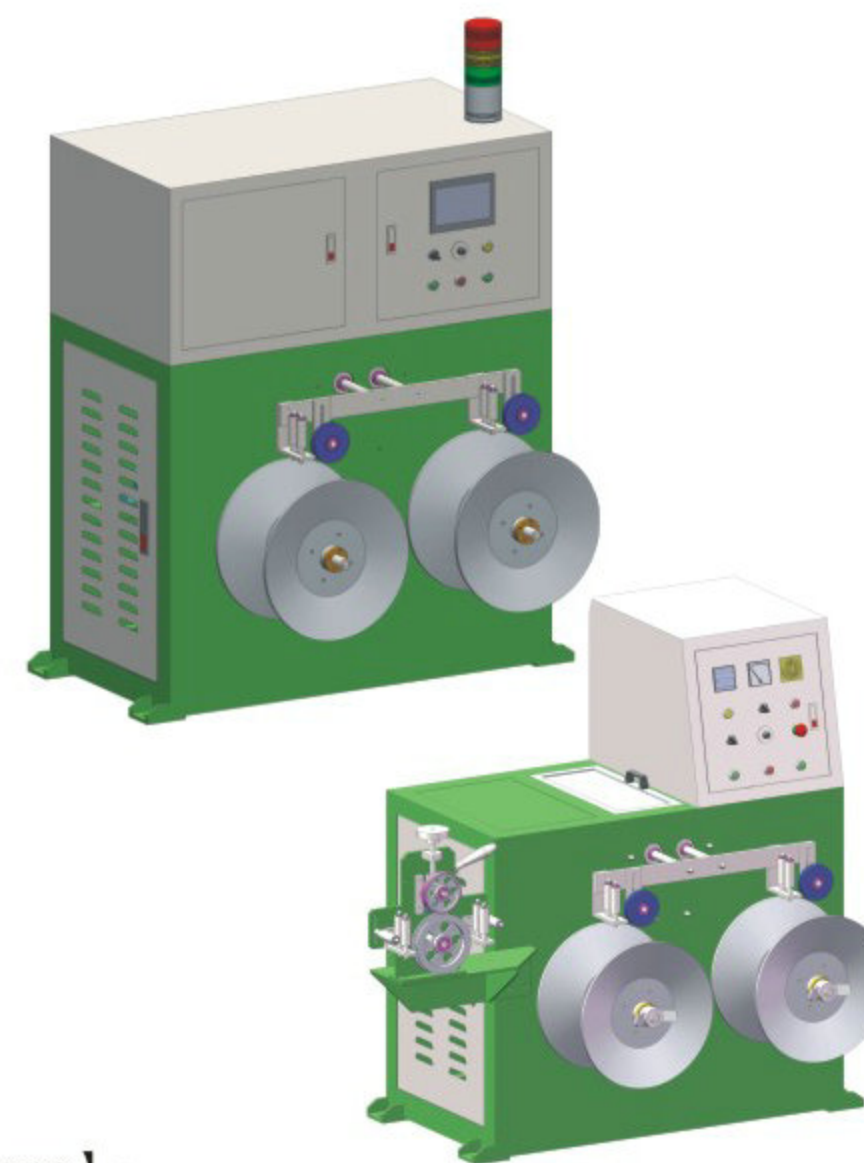
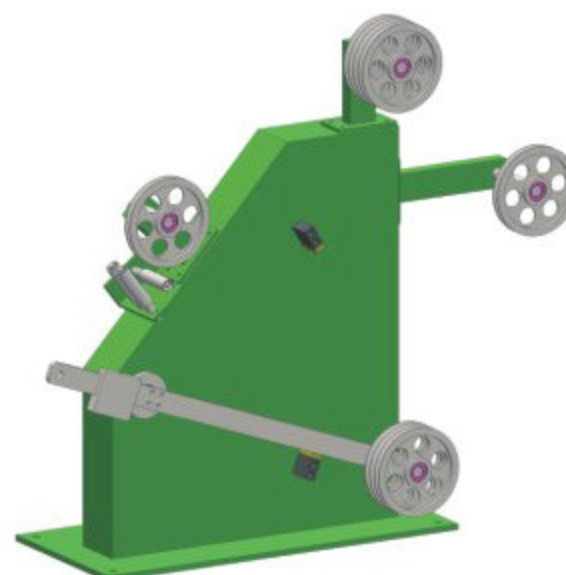
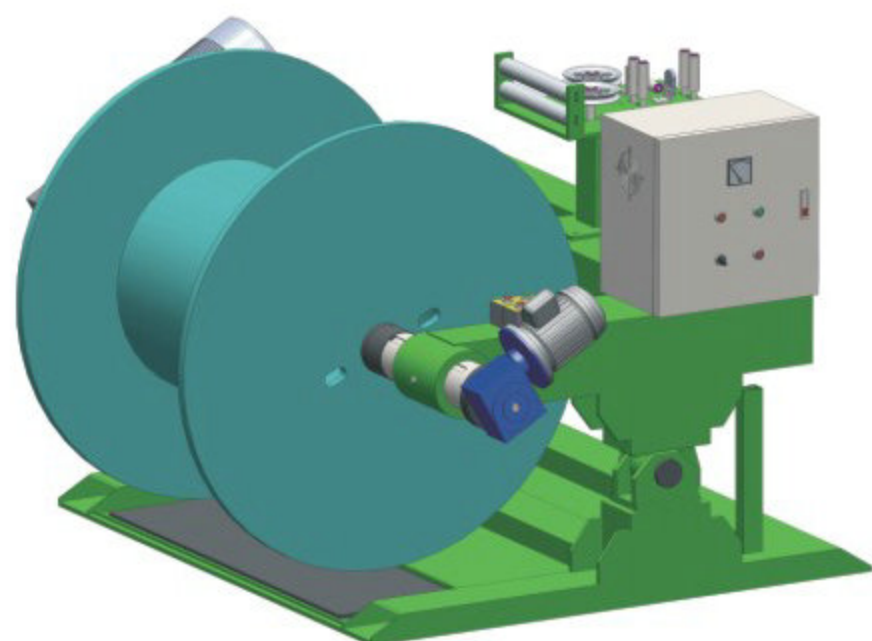
1. Meter meter form: four-wheeled track type;
2. The maximum line speed: 500m/min;
3. Wire diameter range: 2-40mm;
4. Measurement accuracy: 0.1% (one thousandth);
5. Elastic mode: Manual pressure;
6. Induction mode: Rotary encoder;

### C. Cut in circle in the middle

1. Cable way: automatic cable;
2. Main engine speed: 150 revolutions/min;
3. Cable OD:  $\leq 800\text{mm}$ ;
4. Number of cable ties: 3 slots;
5. Motor power: 7.5HP (5.5KW) frequency conversion control;
6. Cable inner diameter:  $\Phi 250-350\text{mm}$  (according to customer requirements);
7. Applicable cable: 50-240mm<sup>2</sup> or wire diameter less than 30mm



高速网状成圈机  
High speed reticulated coiling machine



一、【用途 Application】:

本机适用于五类、六类电缆及同轴电缆收线，8字型网线打卷之用，适用于行业网络线缆包装之规定，同时符合UL标准中规定的网状包装要求，可与押出机储线架联动收线及单动收线  
This machine is suitable for Cat.5 and Cat.6 cable and coaxial cable take-up. The 8-character cable is used for roll-up. It is applicable to the industry network cable packaging regulations. It also conforms to the requirements of the net packaging specified in the UL standard. Extruder storage racks linked to take-up and single-action take-up

二、【技术特点 Technique Feature】:

结构简单，性能可靠，经济实用，操作方便  
Simple structure, reliable performance, economical and practical, easy to operate

三、【技术规格 Technique Specifications】:

规格型号 Model	SF-400 (普通控制 Ordinary control)	SF-400 (PLC电脑控制 PLC computer touch screen control)
电动机功率 Motor power	3HP 马达配加变频器 3HP motor+inverter	3HP 马达配加变频器 3HP motor+inverter
排距方式 Method of traverse pitch	通过转盘和线轴调整 By rotate and wire bobbin adjustable	伺服马达排线 Servo motor adjustable
排幅 Throw	通过PIV调整 By PIV adjustable	PLC自动演算 PLC automatic calculation
出线管预留孔 Outlet tube reserved hole	无 NO	有 Have
收线类型 Take-up type	CAT-5/6类线长度为305米 CAT-5/6 line length 305meters	CAT-5/6类线 长度为305米 CAT-5/6 line length 305meters
收线轴 Take-up bobbin	专用打卷铝轴快速拆装 Dedicated rolling aluminum shaft quick disassembly	
计米器 Meter counter	米到自动停机及自动复位 Meter to automatic shutdown and automatic reset	
刹车离合方式 Brake form	电磁离合刹车器 Electromagnetic clutch brake	电磁离合刹车器 Electromagnetic clutch brake
电气控制 Electric control	普通控制 Ordinary control	PLC全电脑控制 PLC control

## 立式注条机 Vertical injection machine

### 一、【用途 Application】:

本机适合于PVC、PP、PU、PE等胶料挤出，为配合挤出主机生产电线、胶条及异形挤出时需要注入双色或异色塑料的小型挤出机。

This machine is suitable for extrusion of PVC, PP, PU, PE and other plastic materials. It can be used to produce two-color or different-color plastic extruders for the production of wires, strips, and shaped extrusions.

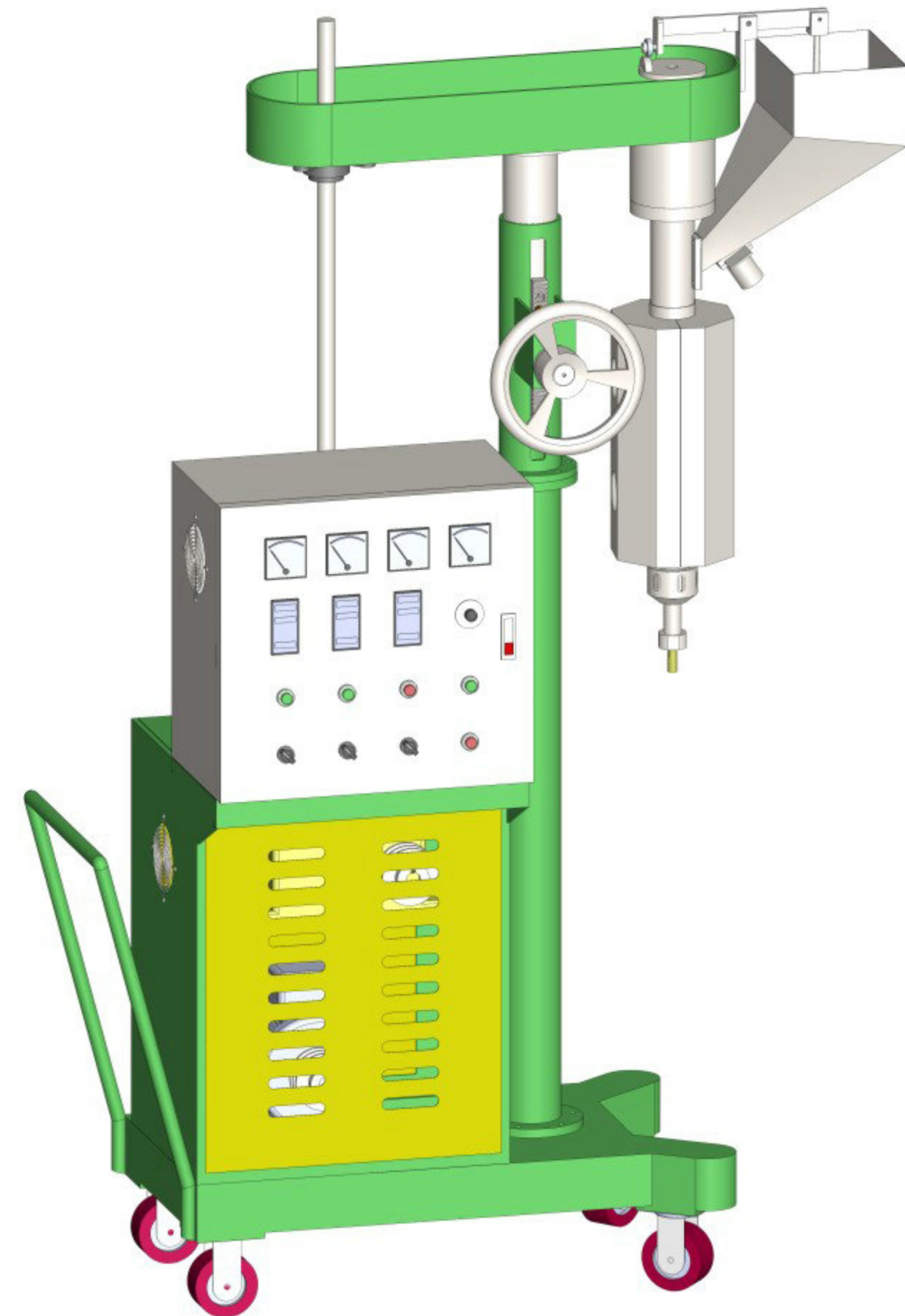
### 二、【技术特点 Technique Feature】:

底部四只轮子可以灵活移动，可与多台主机配合使用

The bottom four wheels can be flexibly moved for use with multiple mainframes

### 三、【技术规格 Technique Specifications】:

机器型号 Model	SF-25	SF-35	SF-45
功率 Power	1.5KW	2.2KW	3.7KW
传动 Transmission	蜗轮减速+滑杆传动 Worm Gear Deceleration+Slider Drive		
升降 Lift	手动式齿条升降 Manual rack lifting	手动式齿条升降 Manual rack lifting	手动式齿条升降 Manual rack lifting
螺杆外径 Screw outer diameter	Φ25mm	Φ35mm	Φ45 mm
挤出量 Extrusion amount	10KG	18KG	25KG
料斗 Hopper	不锈钢料斗 Stainless steel hopper	不锈钢料斗 Stainless steel hopper	不锈钢料斗 Stainless steel hopper
搅拌 Stirring	同步摆杆式搅拌 Synchronous pendulum stirring		
温控 Temperature control	二段温控 2 Segment	三段温控 3 Segment	三段温控 3 Segment
冷却 Cooling device	风机冷却 Fan cooling	风机冷却 Fan cooling	风机冷却 Fan cooling
电源 Power supply	380V 3相4线 380V 3 phase 4 wire	380V 3相4线 380V 3 phase 4 wire	380V 3相4线 380V 3 phase 4 wire
型式 Type	移动式 Mobile	移动式 Mobile	移动式 Mobile



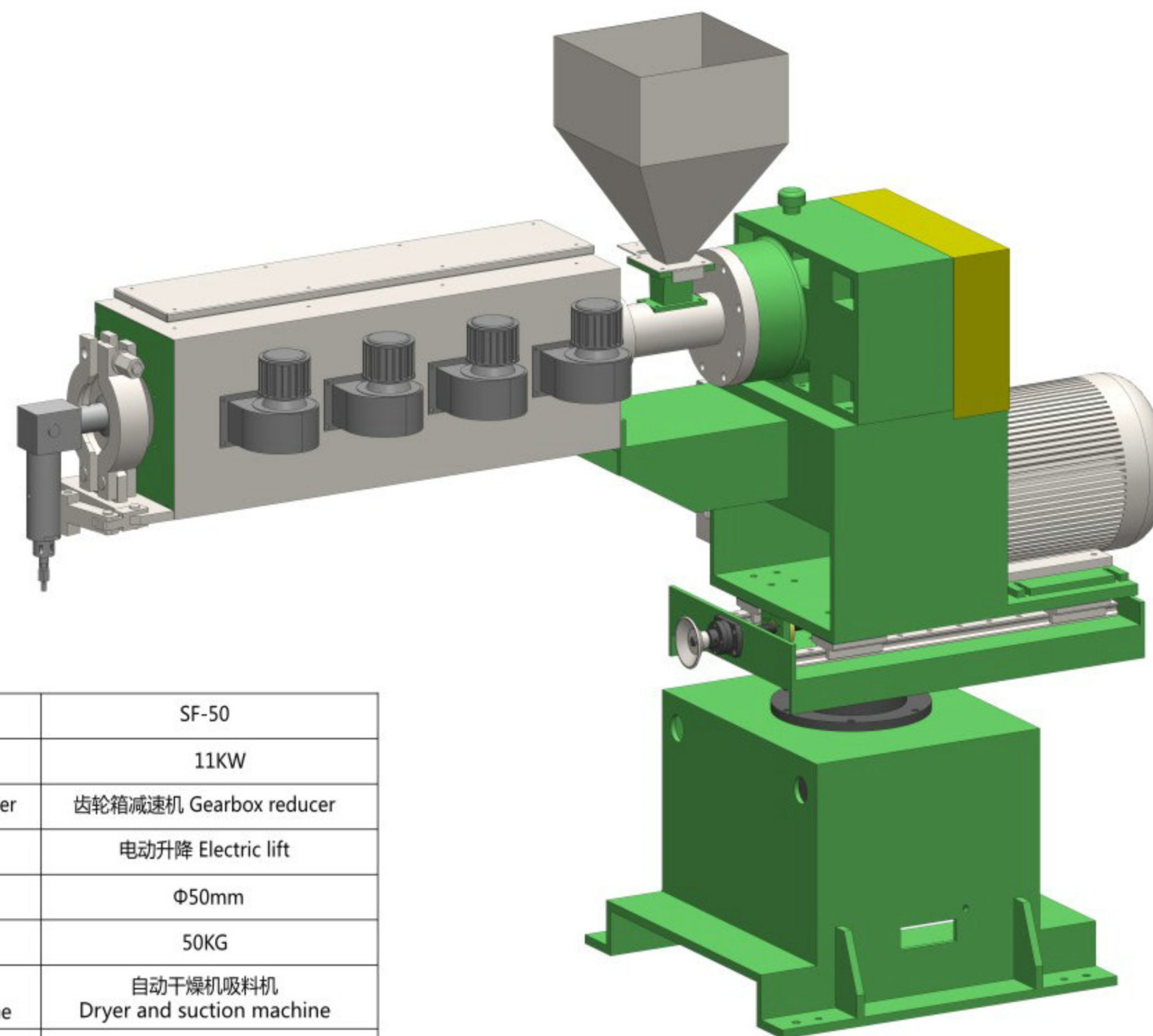
## 卧式注条机 Horizontal injection machine

### 一、【用途 Application】:

本机适合于PVC、PP、PU、PE等胶料挤出，为配合挤出主机生产双层共挤电缆、双色胶条、异形双色管材的挤出。  
 The machine is suitable for extrusion of PVC, PP, PU, PE and other rubber compounds. It is used to produce double-layer co-extruded cables, double-colored plastic strips, and special-shaped double-colored pipe extrusions.

### 二、【技术特点 Technique Feature】:

本机挤出量大，可前伸缩移动，上下调节，还可以左右旋转调节。  
 The machine has a large amount of extrusion and can be moved forward and backward, adjusted up and down, and can also be rotated and adjusted.



### 三、【技术规格 Technique Specifications】:

机器型号 Model	SF-30	SF-40	SF-50
功率 Power	5.5KW	7.5KW	11KW
传动 Transmission	齿轮箱减速机 Gearbox reducer	齿轮箱减速机 Gearbox reducer	齿轮箱减速机 Gearbox reducer
升降 Lift	电动升降 Electric lift	电动升降 Electric lift	电动升降 Electric lift
螺杆外径 Screw outer diameter	Φ30mm	Φ40mm	Φ50mm
挤出量 Extrusion amount	30KG	40KG	50KG
料斗 Hopper	自动干燥机吸料机 Dryer and suction machine	自动干燥机吸料机 Dryer and suction machine	自动干燥机吸料机 Dryer and suction machine
温控 Temperature control	三段温控 3 Segment	三段温控 3 Segment	三段温控 3 Segment
冷却 Cooling device	风机冷却 Fan cooling	风机冷却 Fan cooling	风机冷却 Fan cooling
电源 Power supply	380V 3相4线 380V 3 phase 4 wire	380V 3相4线 380V 3 phase 4 wire	380V 3相4线 380V 3 phase 4 wire
型式 Type	卧式 Horizontal	卧式 Horizontal	卧式 Horizontal

## 履带式牵引机 Caterpillar

### 一、【用途 Application】:

履带式牵引机用于电线电缆、光缆及通讯电缆生产过程中，辅助主机作牵引设备或单独作牵引设备使用。

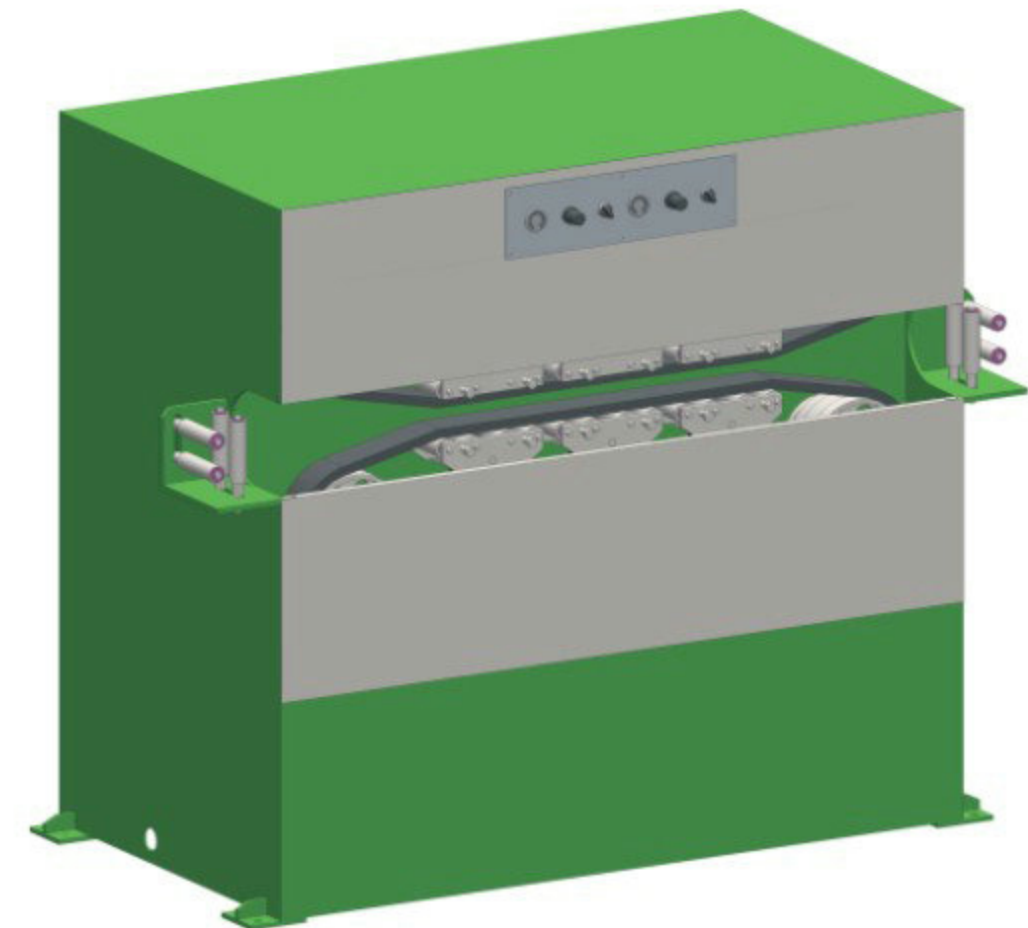
Crawler-type tractors are used in the production of wire and cable, fiber optic cables and communication cables. They are used as auxiliary equipment for traction equipment or as separate traction equipment.

### 二、【技术特点 Technique Feature】:

1. 整机主框架采用优质钢板焊接而成，整体刨、镗加工，具有良好的刚性和整体性，安装极为方便。
  2. 被牵引的产品不承受弯曲变形。其牵引力、牵引速度有很大的调节范围，能适应较多场合和较多规格的线缆生产。
  3. 履带牵引的压带机构采用上下相对应的气缸压紧滚轮装置，经手动控制调压阀调节涨紧、压紧、松开所需气压，能适应线缆工艺的要求。
  4. 牵引机的两端设有水平和垂直导线器，使线缆保持运行中心不变。
1. The main frame of the whole machine is made of high-quality steel plates. The overall planing and boring processing has good rigidity and integrity, and the installation is extremely convenient.
  2. The product being towed does not undergo bending deformation. Its traction force and traction speed have a wide range of adjustment, and can adapt to more occasions and more specifications of cable production.
  3. Crawler belt press mechanism adopts cylinder pressing roller device corresponding to up and down. Manually controlled pressure regulating valve regulates tension, pressure and release required air pressure, which can adapt to the requirements of cable technology.
  4. There are horizontal and vertical guides at both ends of the tractor, so that the cable keeps its operating center unchanged.

### 三、【技术规格 Technique Specifications】:

机械型号 Model	SF-200	SF-300	SF-500	SF-800	SF-1250	SF-1600	SF-2000	SF-2500	SF-3200	
最大牵引力 Max traction	200KG	300KG	500KG	800KG	1250KG	1600KG	2000KG	2500KG	3200KG	
最大线缆外径 Max cable diameter	Φ30mm	Φ35mm	Φ40mm	Φ60mm	Φ80mm	Φ100mm	Φ120mm	Φ130mm	Φ140mm	
牵引速度 Traction speed	150m/min	150m/min	100m/min	100m/min	100m/min	200m/min	150m/min	150m/min	100m/min	
履带接触长度 Track contact length	520mm	620mm	750mm	1200mm	1500mm	1900mm	2100mm	2400mm	2900mm	
履带宽度 Track width	70mm	70mm	80mm	100mm	120mm	120mm	140mm	140mm	145mm	
气缸对数 Number of cylinders	3	3	3	5	5	6	7	8	9	
电机功率 Motor Power	3KW	4KW	5.5KW	7.5KW	7.5KW	11KW	15KW	15KW	18.5KW	
电机转速 Motor speed	1500rpm	1500rpm	1500rpm	1500rpm	1500rpm	1500rpm	1500rpm	1500rpm	1500rpm	
设备中心高度 Equipment center height	1000mm	1000mm	1000mm	1000mm	1000mm	1000mm	1000mm	1000mm	1000mm	
外形尺寸 Dimensions	长 Long	1450mm	1500mm	1800mm	2300mm	3000mm	3330mm	3660mm	3990mm	4320mm
	宽 Width	700mm	700mm	930mm	1030mm	1230mm	1230mm	1300mm	1300mm	1300mm
	高 High	1500mm	1650mm	1650mm	1780mm	1780mm	1850mm	1850mm	1850mm	1850mm



## 上色过油机 Color oil machine

### 一、【用途 Application】:

适用于编制硅胶线、硅胶套管外部着色上胶，应用于多色硅胶线缆、硅胶套管上色生产。

It is suitable for the preparation of silica gel wire and silicone sleeve external coloring sizing. It is applied to multi-color silica gel cable and silica gel casing for color production.

### 二、【设备组成 Structure of Equipment】:

上色过油机由卧式放线架、烤箱、牵引机、收线机。

The coloring oil machine consists of a horizontal release frame, an oven, a tractor, and a wire take-up machine.

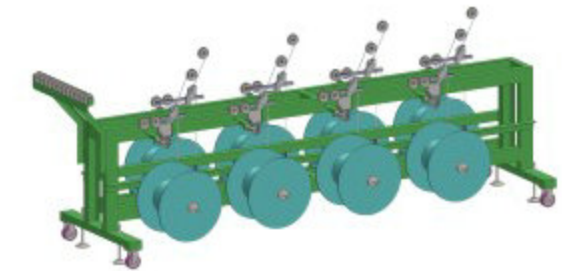
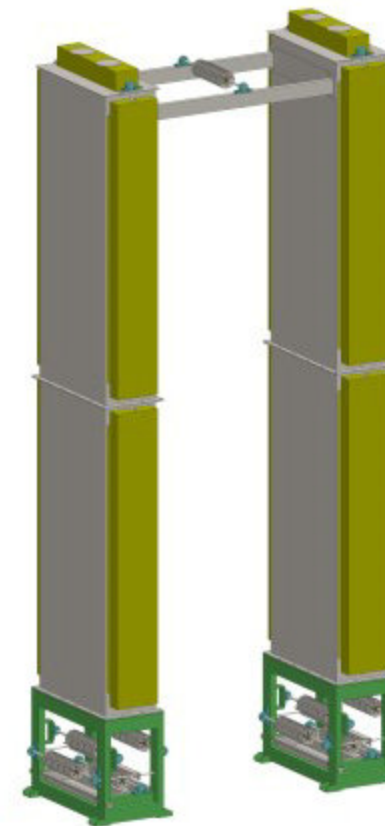
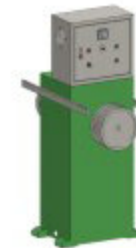
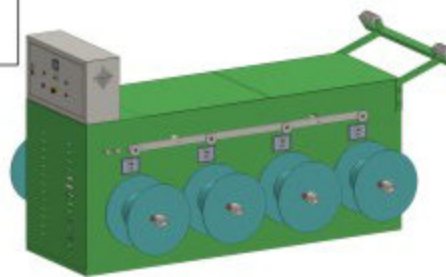
### 三、【技术特点 Technique Feature】:

本机设备按照同时上色过油的线、管条数最多可分为绕设备多进多出；立式硫化管道采用内部线材多次环，调试可设计为4-10米。

The equipment can be divided into multiple windings according to the number of lines and tubes that are colored at the same time. The vertical vulcanization pipeline adopts multiple loops of internal wire, and the debugging can be designed to be 4-10 meters.

### 四、【技术参数 Technique specifications】:

用途Use	应用于多色硅胶线缆、硅胶套管上色生产 Applied to multi-color silicone cable, silicone casing color production	
放线盘数量Number of Pay-off	MAX12	
放线盘尺寸Pay-off reel size	400-500mm	
烤箱高度Oven height	4-10M	
烤箱材质Oven material	不锈钢304材质Stainless steel 304 material	
牵引功率Traction power	1HP	
牵引速度Traction speed	Max80M/Min	
收线盘数量Number of reels	MAX12	
收线盘尺寸Take-up reel size	400-500mm	
电源Power supply	380V, 50HZ	



## 高速裁线机 High-speed cutting machine

### 一、【用途 Application】:

适用于各类电源线、插头线、电子连接线的裁断成扎，分标准独立型裁线机和联动型裁线机两种。

Applicable to various types of power cords, plugs, and electronic cables, which are divided into two types: stand-alone type wire cutters and linkage type wire cutters.

### 二、【设备组成 Structure of Equipment】:

高速裁线机由整直机构、计米装置、皮带牵引机构、打线机构（或者推线机构）、取线机构、皮带输送机构等组成。裁线长度、每扎数量、裁线累计条数与米长都可任意设定。  
The high-speed cutting machine consists of a straightening mechanism, a meter counting device, a belt pulling mechanism, a threading mechanism (or a pushing thread mechanism), a thread taking mechanism, and a belt conveying mechanism. The length of the cut, the number of bars, the cumulative number of cuts, and the length of the cut can be arbitrarily set.

### 三、【技术特点 Technique Feature】:

本机设备运转平稳、噪音低、效率高、裁线精度高、自动化控制，提高了工作效率，操作更简单安全。

The machine has stable operation, low noise, high efficiency, high precision of cutting lines, and automatic control, which improves work efficiency and makes operation easier and safer.

### 四、【技术参数 Technique specifications】:

用途 Use	适用于各类电源线、插头线、电子连接线的裁断成扎 Applicable to various types of power cable, plug cable, electronic cable cutting
切断能力 Cutting ability	圆线 Round cable $\Phi 4.0\text{mm}-\Phi 10\text{mm}$ 扁线 Flat cable 2.0X4.0mm-5.0X10mm
最小去除长度 Minimum removal length	300mm
取线方式 Take the line	打线或推线 Fight cable or Push cable
最高速度 Max speed	Max300m/min or 300pcs/min
长度范围 Length range	300-99999mm
裁线精度 Cutting accuracy	+/-3mm
给线方式 Give way	A、联动押出机后，与押出机主机同步； B、铁轴、木轴、恒张力动力补偿主动给线 A、 Simultaneously with the extruder host, it is synchronized with the extruder. B、 iron shaft, wood shaft, constant tension dynamic compensation active wire
给线轴直径 Spool diameter	a、 $\Phi 630-\Phi 800\text{mm}$ b、 $\Phi 800-\Phi 1000\text{m}$ c、 $\Phi 1000-\Phi 1250\text{m}$
主要配备 Main equipment	动力放线机、张力架、裁线主机、电气控制箱、输送平台 Power take-off machine, tension rack, wire cutting host, electrical control box, conveyor platform
动力 Power	主机 3HP+输送平台 2HP+PLC 全电脑控制 Host 3HP+ transport platform 2HP+PLC control
电源 Power supply	380V, 50HZ
占地面积 Floor area	L5.5m * W2m * H1.8m
设备重量 Equipment weight	主机 520KG+放线机 585KG+输送平台 4米 320KG+张力架 205KG=1630KG The host 520KG+pay-off machine 585KG+ transport platform 4m 320KG+tension rack 205KG=1630KG





## 高速缠绕机 High speed winding machine

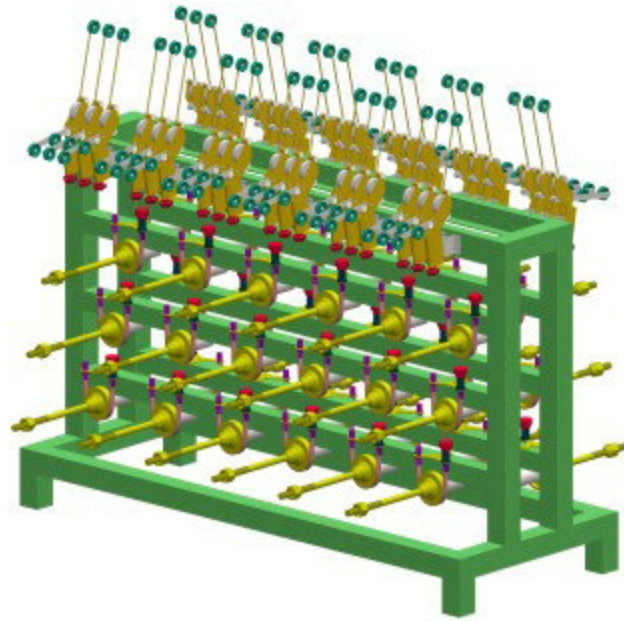
### 一、【用途 Application】:

本设备主要铜线、隔离线、音频线、铁氟龙极细同轴线、缠绕线屏蔽。  
The equipment is mainly copper wire, insulation wire, audio cable, Teflon micro-fine coaxial cable, winding wire shielding.

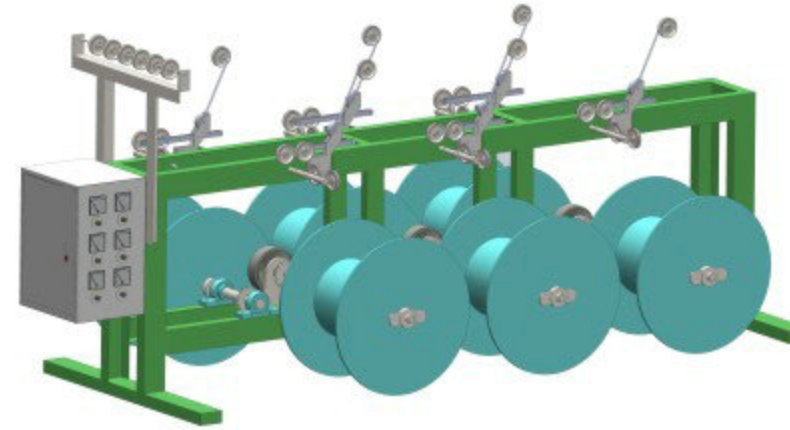
### 二、【技术参数 Technique specifications】:

规格型号 Model	SF-Φ405P
适用芯线线径 Core diameter	Φ 0.6mm-4.0mm
适用铜线规格 Copper diameter	Φ 0.05mm-0.4mm
绞距范围 Lay length	8.5mm-40mm
绞距变换 Winding adjustment	变换齿轮 Change gear
主轴转速 Spindle speed	Max.800RPM
排线方式 Cable way	交叉牙+月牙+排线铝座 Cross teeth + crescent+row aluminum seat
动力 Power	2HP
张力控制 Tension control	采用磁粉刹车自动张力控制 powder braking automatic tension control
转向 Steering	正反转任调使用, 出厂时设定为正转 Reversible tone,use factory setting
轴承 Bearings	日本进口NSK、KOYO 优质品牌 Japan imports NSK, KOYO premium brands

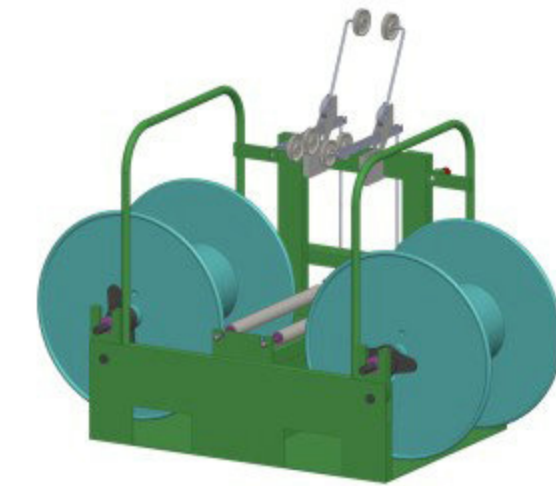




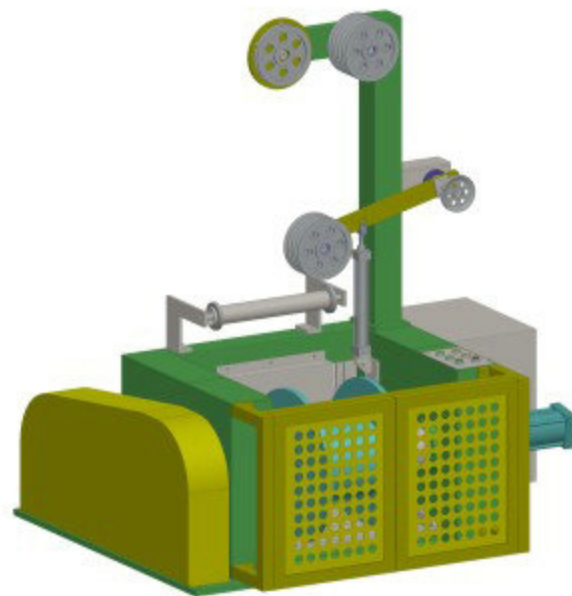
立式张力放线架  
Vertical tension pay-off



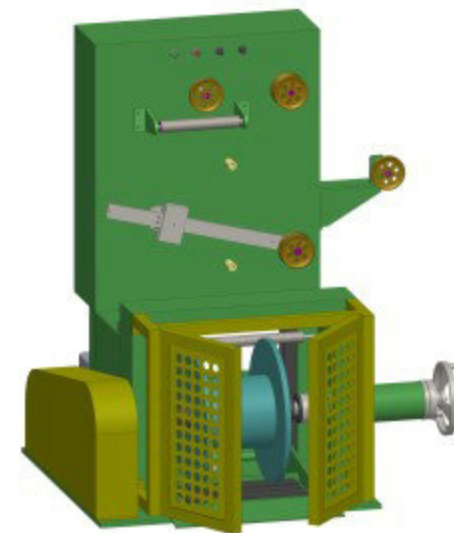
双排卧式被动放线架  
Double-row horizontal passive pay-off



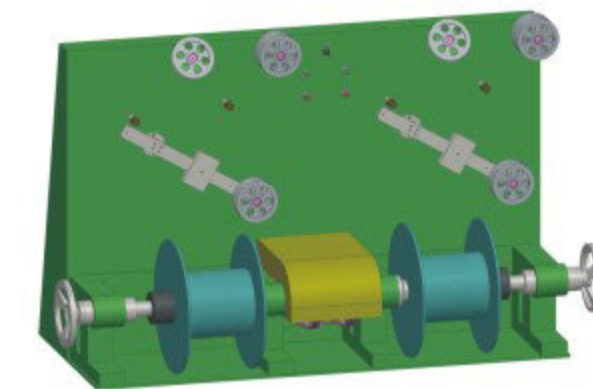
日式双轴放线架  
Japanese-style dual-axis pay-off



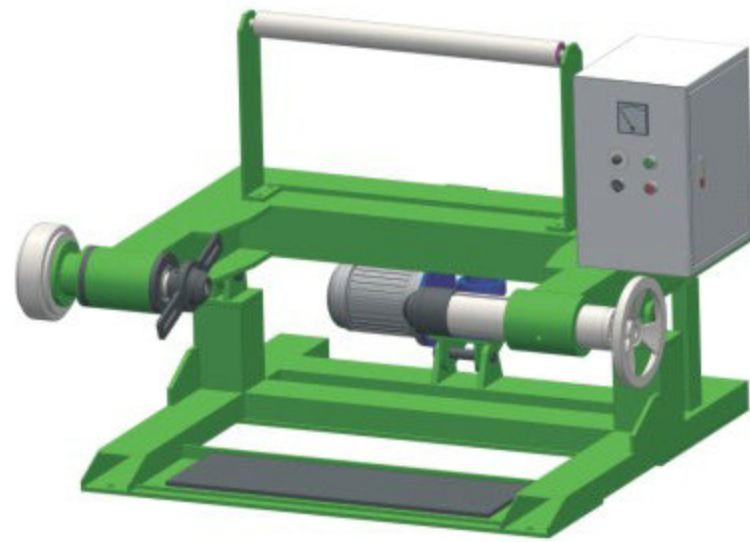
高速主动放线架  
High-speed active pay-off



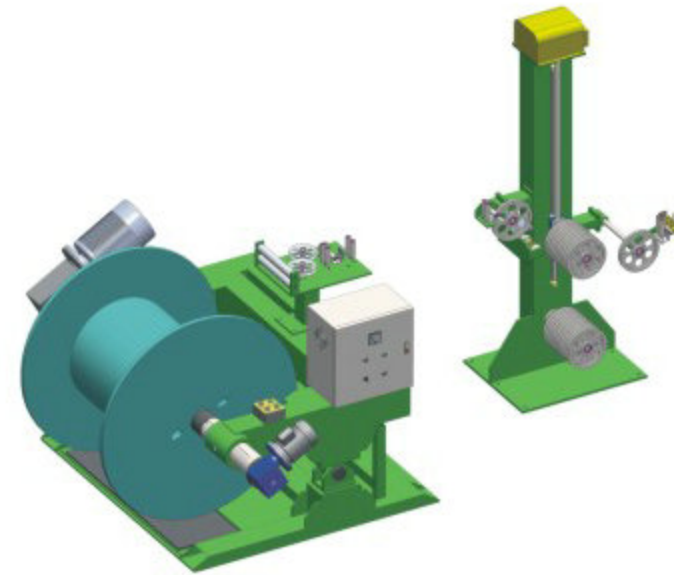
单轴主动张力放线架  
Single-axis active tension pay-off



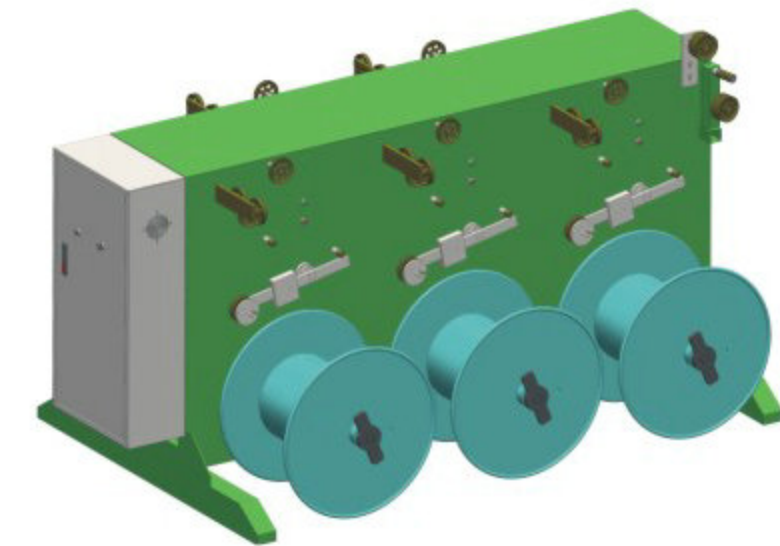
双轴主动张力放线架  
Double axis active tension pay-off



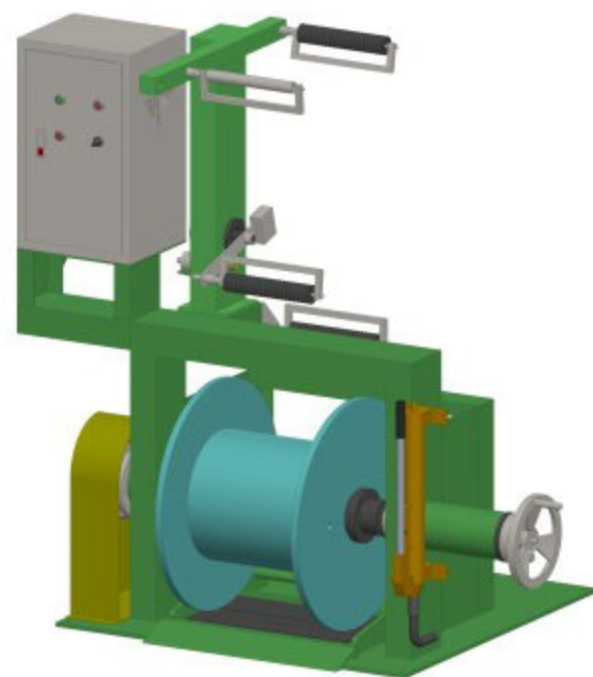
无轴式被动张力放线架  
Shaftless passive tension pay-off



无轴式主动张力放线架  
Shaftless Active Tension pay-off



多头主动张力放线架  
Multi-headed active tension take-off



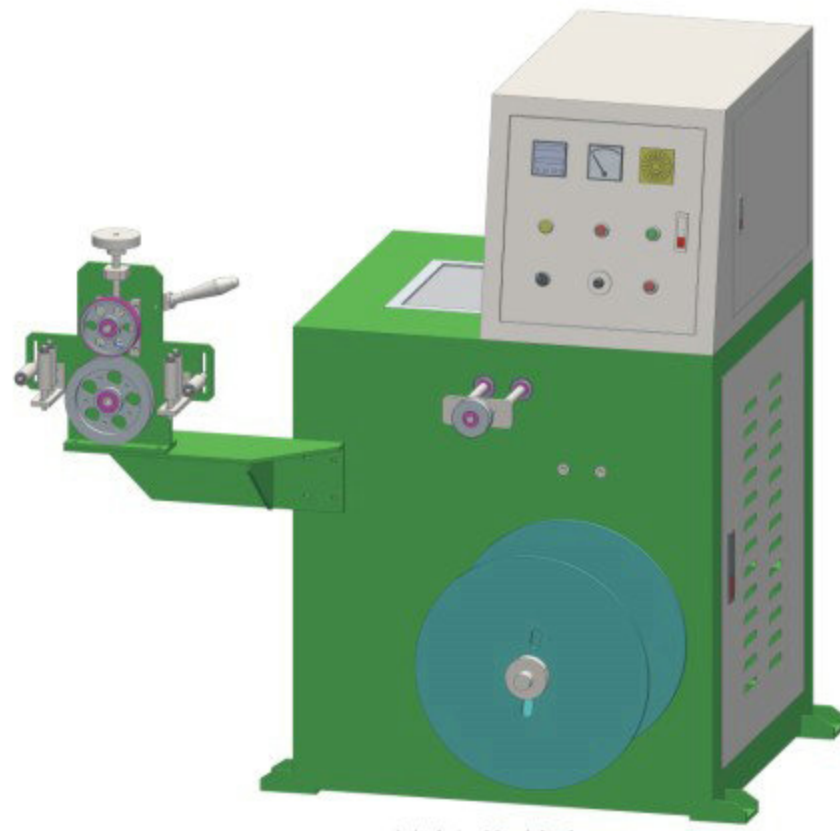
多头拉丝铜线放线架  
Multiple wire drawing copper wire pay-off machine



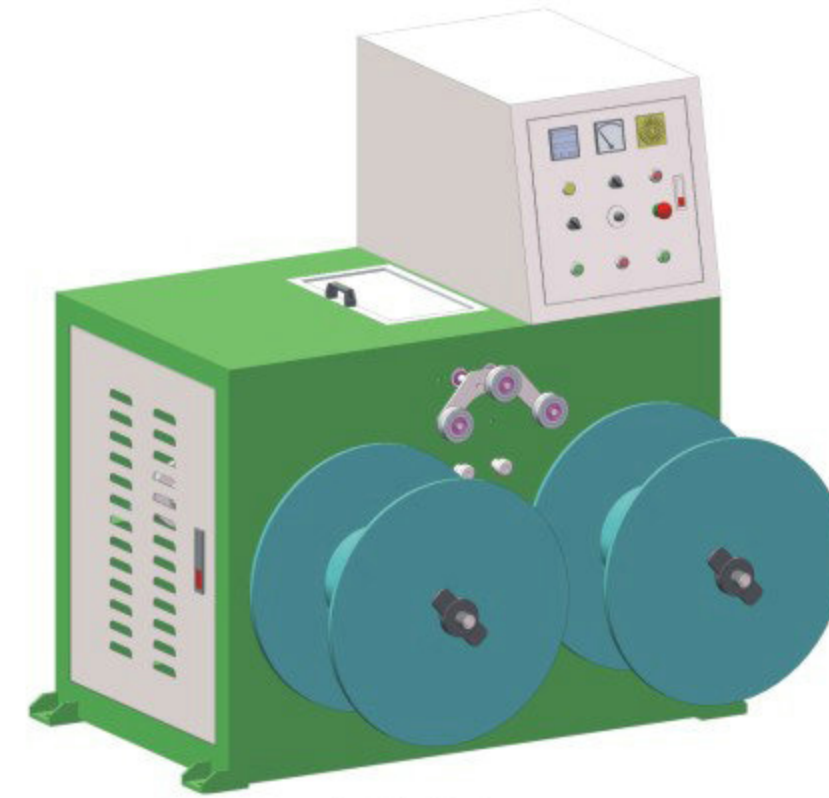
端轴式被动放线架  
End shaft type passive pay-off



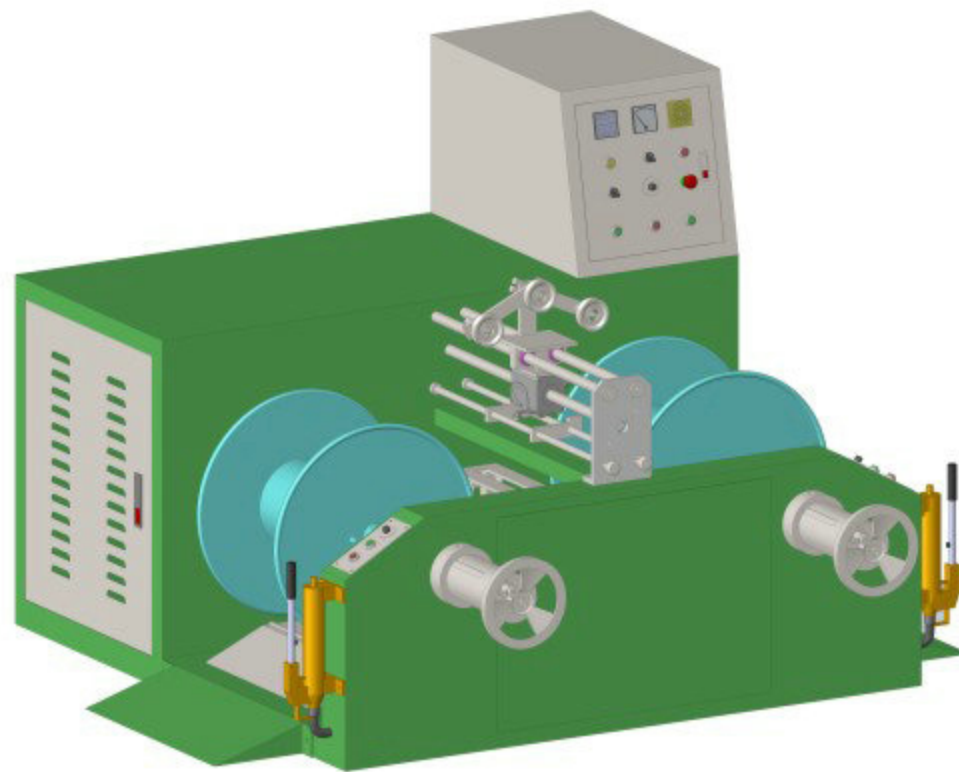
龙门式放线架  
Gantry type pay-off



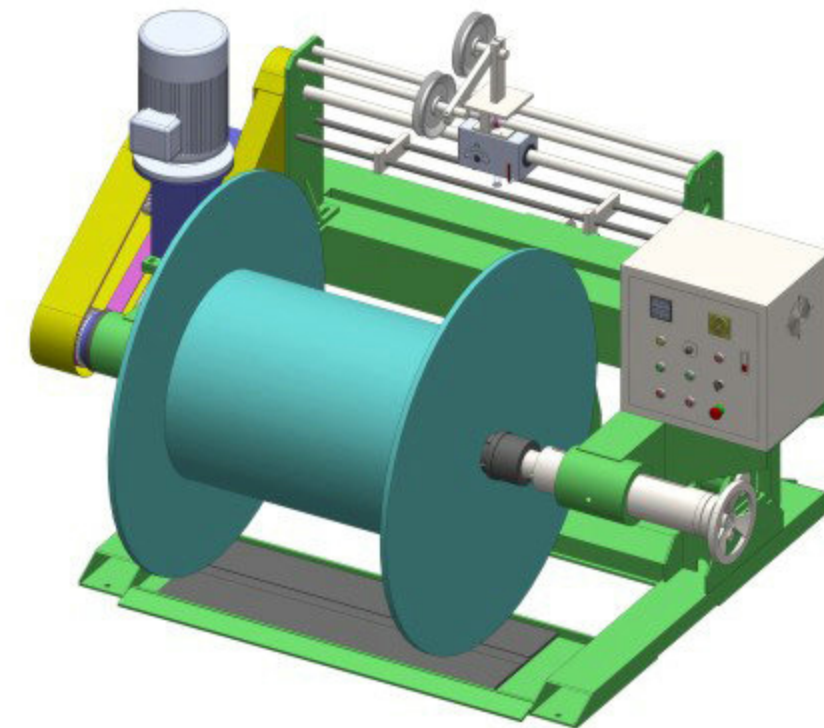
单轴收线机  
Single axis take-up machine



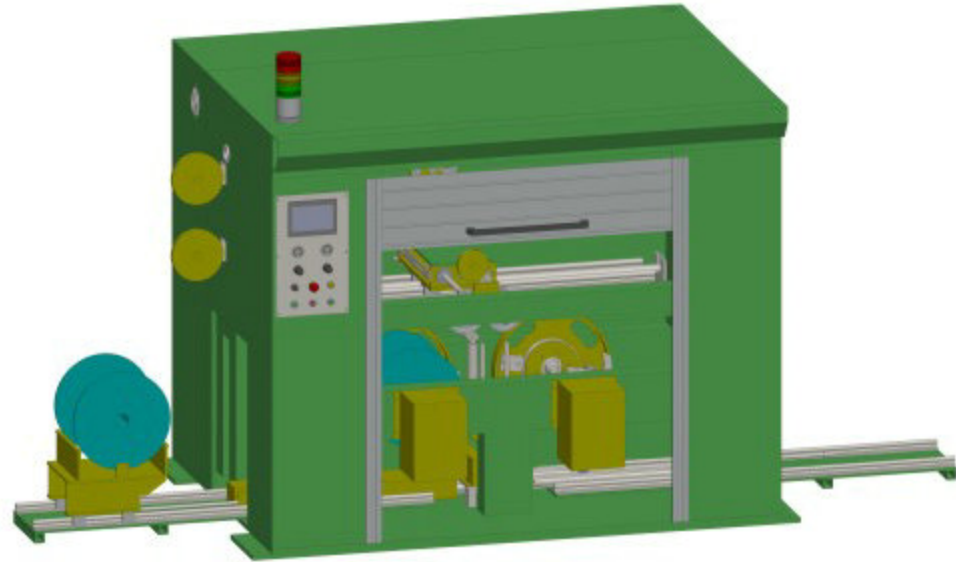
双轴收线机  
Double axis take-up machine



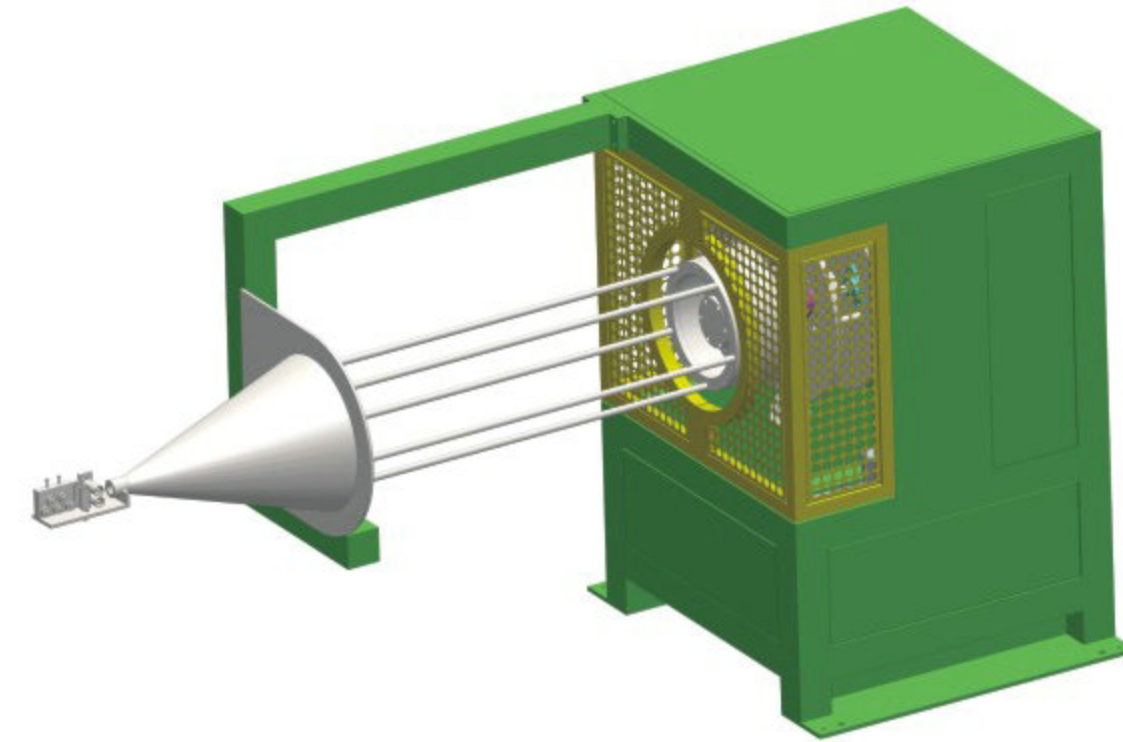
无轴式双轴收线机  
Shaftless double axis take-up machine



无轴式单轴收线机  
Unaxle single axis cable machine



半自动换盘双轴收线机  
Semi-automatic changer double axis take-up machine



象鼻式牵引收线机  
Elephant-like traction take-up machine



端轴式收排线机  
End-axis take-up machine



龙门式收排线机  
Gantry type take-up machine



高速印字机  
High speed printer



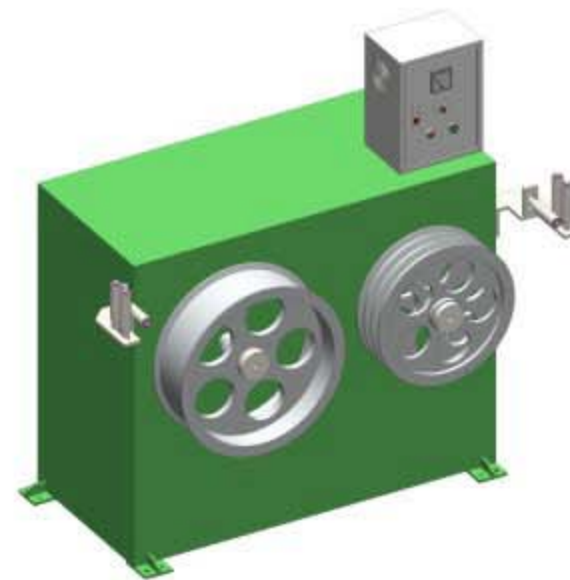
轮式计米器  
Wheeled meter counter



欧式计米器  
European meter counter



立式张力架  
Vertical tension frame



双轮式张力机  
Double wheel tensioner



工频火花机  
Power frequency spark machine



高频火花机  
High-frequency spark machine



激光测径仪  
Laser caliper



加热型过粉机  
Heating type powder machine



铜线预热器  
Copper wire preheater



梅花落桶机  
Plum shaped bucket machine



铜粉过滤机  
Copper powder filter



# 诚信创新 共赢未来

Credibility, Innovation And Win-win Future



## 東莞市晟方機械有限公司

電話: +86-769-85196656

傳真: +86-769-85191019

QQ: 469768349

郵箱: sales@sfxljx.com

網站: <http://www.sfxljx.com>

地址: 東莞市虎門鎮赤崗社區崗厦工業園

## Dongguan ShengFang Machinery Co.,Ltd

TEL: (86)769-85196656

FAX: (86)769-85191019

QQ: 469768349

[Http://www.sfxljx.com](http://www.sfxljx.com)

E-mail: sales@sfxljx.com

ADD: Gangxia Industrial Park, Chigang

Community, Humen Town, Dongguan City

## 蘇州泰方機械有限公司

電話: +86-512-36836661

傳真: +86-512-36836662

地址: 昆山開發區前進東路579號 2415

## Suzhou TaiFang Machinery Co.,Ltd

TEL: (86)512-36836661

FAX: (86)512-36836662

ADD: Room 2415, No.579, East advance Road,  
Kunshan City, Jiangsu Province